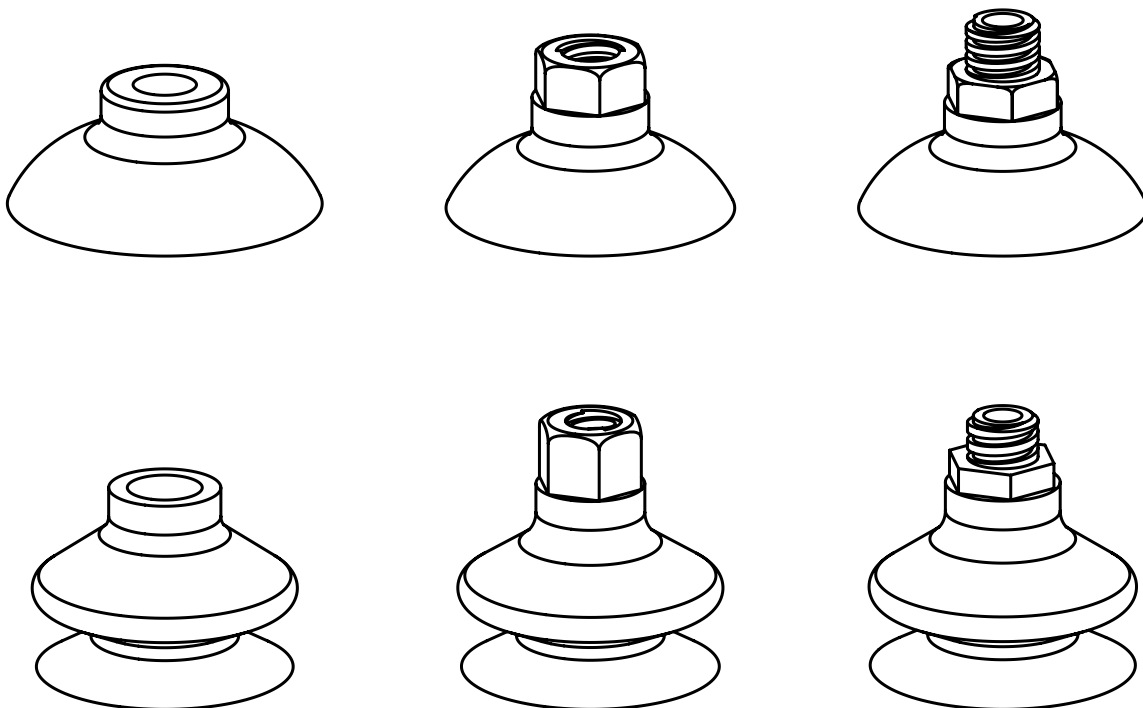


# VAC Reihe / VAC line

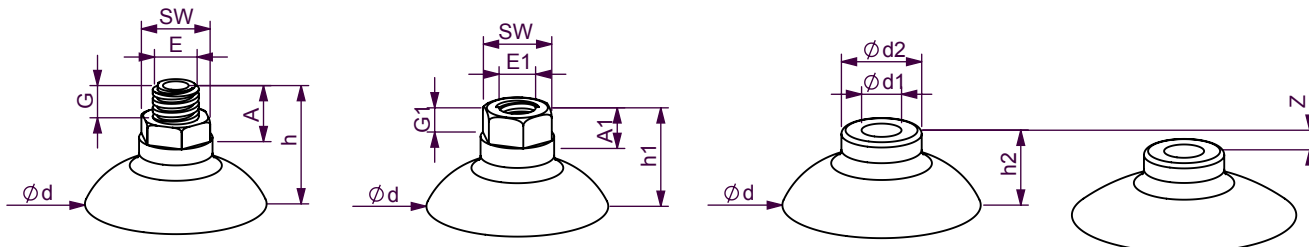


01=NBR, 02=S (Silikon/silicone), 03=NR (Naturgummi/natural rubber), 05=PU (Polyurethan/polyurethane), 06=EPDM, 07=FKM(Viton®)

Andere Artikel auf Anfrage | Products available from stock / Other products on request

 \*Weitere Materialien auf Anfrage  
 Further materials on request

I



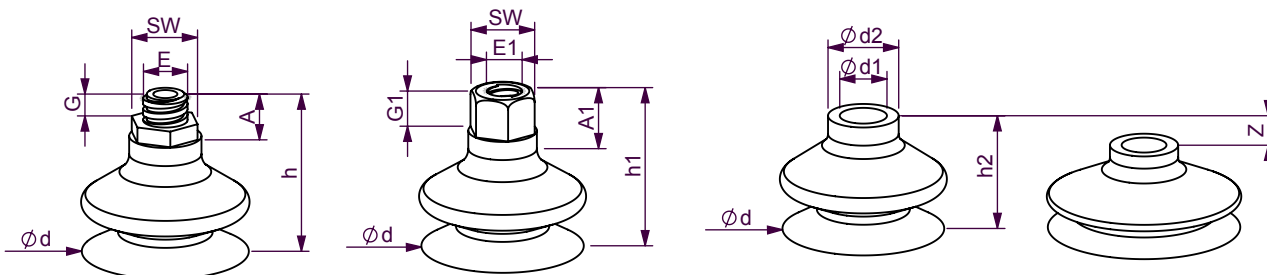
Aussengewinde Male thread (AG)	Innengewinde Female thread (IG)	Ersatzsauger Spare Cup	Material (*)	Ød	h	h1	h2	A	A1	Ød1	Ød2	E	E1	G	G1	SW	Z
14.020.052._	13.020.074._	---	NBR,S,NR,PU	20	24	24	12	12	12	8	5	G1/8"	G1/8"	8	8	14	3.5
14.034.053._	13.034.075._	---	NBR,S,NR,PU	34	29	29	14	15	15	14	7	G1/4"	G1/4"	10	12.5	17	2.5
14.053.003._	13.053.012._	---	NBR,S,NR,PU	53	33	33	18	15	15	--	--	G1/4"	G1/4"	11	11	17	3.0
14.075.004._	13.075.013._	---	NBR,S,NR,PU	75	43	43	25	18	18	--	--	G1/4"	G1/4"	12	12	22	4.0
14.096.005._	13.096.014._	---	NBR,S,NR,PU	96	62	62	45	17	17	--	--	G1/4"	G1/4"	12	12	22	8.0

01=NBR, 02=S (Silikon/silicone), 03=NR (Naturgummi/natural rubber), 05=PU (Polyurethan/polyurethane), 06=EPDM, 07=FKM(Viton®)

Andere Artikel auf Anfrage | Products available from stock / Other products on request

 \*Weitere Materialien auf Anfrage  
 Further materials on request

II



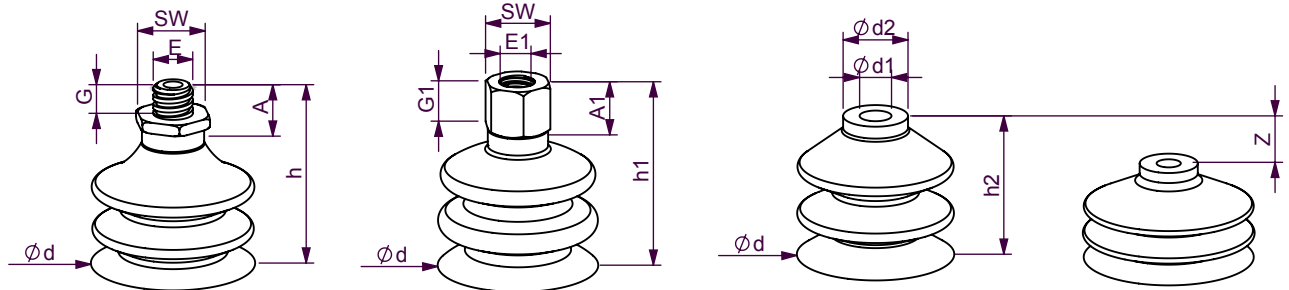
Aussengewinde Male thread (AG)	Innengewinde Female thread (IG)	Ersatzsauger Spare Cup	Material (*)	Ød	h	h1	h2	A	A1	Ød1	Ød2	E	E1	G	G1	SW	Z
212.014.001._	211.014.009._	210.014.064._	NBR,S,PU,NR,FKM	14	31.5	30	18	12	13.5	12	5	G1/8"	G1/8"	8	7.5	14	8
212.025.002._	211.025.010._	210.025.065._	NBR,S,PU,NR,EPDM	25	37	37	22	15	15	18.5	8	G1/4"	G1/4"	12	12	17	5
212.040.003._	211.040.011._	210.040.066._	NBR,S,PU,NR,EPDM	40	47	47	32	15	15	18.5	8	G1/4"	G1/4"	12	12	17	13
212.060.004._	211.060.012._	210.060.023._	NBR,S,NR,PU	60	55	55	40	15	15	18	8	G1/4"	G1/4"	12	12	17	15
214.085.002._	213.085.009._	---	NBR,S,NR	85	75	75	58	17	17	-	-	G1/4"	G1/4"	10	12	22	13

01=NBR, 02=S (Silikon/silicone), 03=NR (Naturgummi/natural rubber), 05=PU (Polyurethan/polyurethane), 06=EPDM, 07=FKM(Viton®)

Andere Artikel auf Anfrage | Products available from stock / Other products on request

 \*Weitere Materialien auf Anfrage  
 Further materials on request

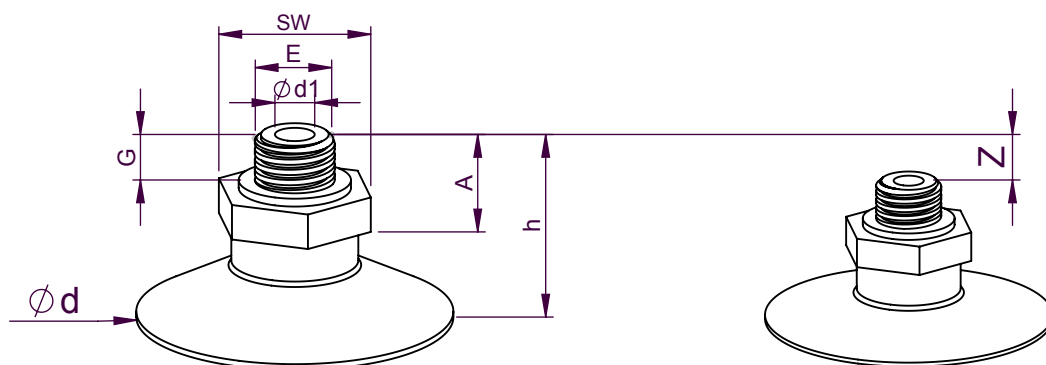
III



Aussengewinde Male thread (AG)	Innengewinde Female thread (IG)	Ersatzsauger Spare Cup	Material (*)	Ød	h	h1	h2	A	A1	Ød1	Ød2	E	E1	G	G1	SW	Z
222.010.001._	221.010.003._	220.010.021._	NBR,S,PU,NR, EPDM	10	28.1	27.7	15.7	12	12.4	10.2	5.3	G1/8"	G1/8"	8	8.2	14	3
222.014.002._	221.014.004._	220.014.023._	NBR,S,PU,NR, EPDM	14	36.5	35	23	12	13.5	12	5	G1/8"	G1/8"	9	7.5	14	10
222.018.003._	221.018.005._	220.018.001._	NBR,S,PU,NR, EPDM	18	34.4	34	22	12	12.4	12	5	G1/8"	G1/8"	8	8.2	14	8
222.030.004._	221.030.006._	220.030.006._	NBR,S,PU,NR, EPDM,FKM	30	50	48	33	15	15	19	8	G1/4"	G1/4"	12	12	17	13
222.040.005._	221.040.007._	220.040.010._	NBR,S,PU,NR, EPDM	40	60	60	45	15	15	19	8	G1/4"	G1/4"	12	12	17	20
222.060.006._	221.060.010._	220.060.026._	NBR,S,NR, EPDM	60	70	70	55	15	15	19	8	G1/4"	G1/4"	12	12	17	24
224.085.001._	223.085.007._	---	NBR,S,NR	85	100	95	78	17	17	-	-	G1/4"	G1/4"	10	12	22	38

01=NBR, 02=S (Silikon/silicone), 05=PU (Polyurethan/polyurethane)

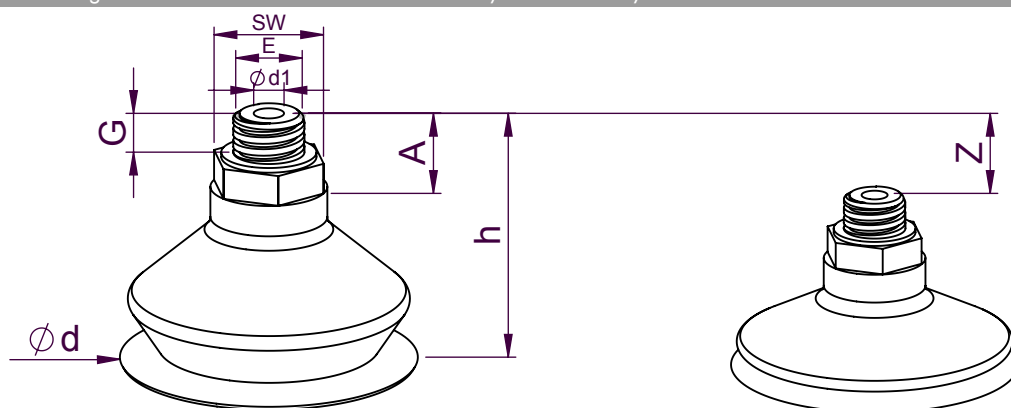
Andere Artikel auf Anfrage | Products available from stock / Other products on request

\*Weitere Materialien auf Anfrage  
Further materials on request

Aussengewinde Male thread (AG)	Material (*)	$\phi d$	$\phi d_1$	E	h	A	G	SW	Z
Art. 14.008.041._	NBR,PU,S	8	2	M5	19.2	11.5	4	8	1.0
Art. 14.010.042._	NBR,PU,S	10	2	M5	19.2	11.5	4	8	1.0
Art. 14.015.043._	NBR,PU,S	15	3	G1/8"	20	12	4.7	13	1.2
Art. 14.030.044._	NBR,PU,S	30	3	G1/8"	21.5	12	4.7	13	2.0
Art. 14.040.045._	NBR,PU,S	40	3	G1/4"	32.5	19	5.8	17	3.0
Art. 14.055.046._	NBR,PU,S	55	4	G1/4"	35.5	19	5.8	17	3.5
Art. 14.075.047._	NBR,PU,S	75	4	G1/4"	29	18	5.8	17	3.5
Art. 14.100.048._	NBR,PU,S	100	4	G1/4"	29	18	5.8	17	3.5
Art. 14.125.049._	NBR,PU,S	125	7	G3/8"	36	20	6	19	6.0

01=NBR, 02=S (Silikon/silicone), 05=PU (Polyurethan/polyurethane)

Andere Artikel auf Anfrage | Products available from stock / Other products on request

\*Weitere Materialien auf Anfrage  
Further materials on request

Aussengewinde Male thread (AG)	Material (*)	$\phi d$	$\phi d_1$	E	h	A	G	SW	Z
Art. 214.008.011._	NBR,S,PU	8	0.5	M5	22.5	11.5	3.5	8	3.0
Art. 214.015.012._	NBR,S,PU	15	3	G1/8"	25.5	12	4.7	13	5.5
Art. 214.030.013._	NBR,S,PU	30	3	G1/8"	34	12	4.7	13	13.0
Art. 214.040.014._	NBR,S,PU	40	3	G1/4"	43	16	5.8	17	14.0
Art. 214.055.015._	NBR,S,PU	55	4	G1/4"	52	16	5.8	17	20.0
Art. 214.075.016._	NBR,S,PU	75	4	G1/4"	43.5	16	5.8	17	14.5
Art. 214.100.017._	NBR,S,PU	100	4	G1/4"	43.5	16	5.8	17	14.5
Art. 214.125.018._	NBR,S,PU	125	7	G3/8"	60	20	6	19	26.0

01=NBR, 02=S (Silikon/silicone)

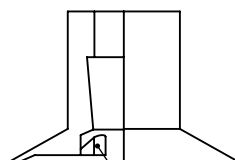
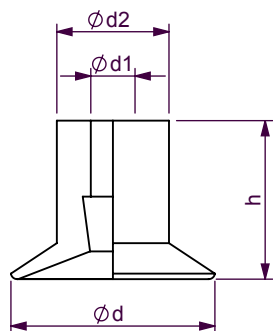
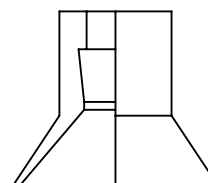
Andere Artikel auf Anfrage | Products available from stock / Other products on request


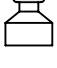
\*Weitere Materialien auf Anfrage  
Further materials on request

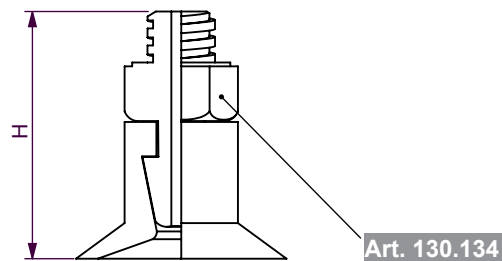
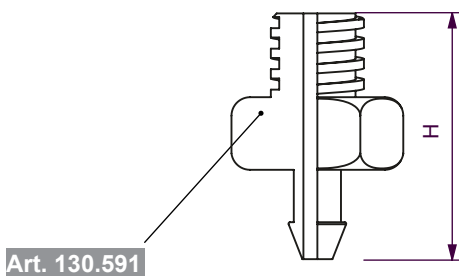
VAC-1

VAC-2

VAC-3

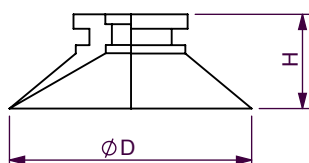
mit Abstützrippen  
with cleats

VAC	Flachsauger Flat vacuum cups	Art.			Ø d	Ø d1	Ø d2	h	H	Komplett mit Anschlussstück Complete with fitting
VAC-1	Art. 10.005.034._	130.591	0.5 mm	0.1 g	5.0	2.0	4.5	6.0	14.4	Art. 12.005.040._
VAC-1	Art. 10.007.035._	130.591	1.0 mm	1.1 g	7.0	2.0	5.0	6.5	15.0	Art. 12.007.041._
VAC-1	Art. 10.009.020._	130.591	1.5 mm	1.0 g	9.0	2.0	5.0	6.5	15.0	Art. 12.009.042._
VAC-1	Art. 10.011.036._	130.134	1.0 mm	0.3 g	11.0	3.8	9.0	10.5	19.5	Art. 12.011.043._
VAC-1	Art. 10.016.037._	130.134	2.0 mm	0.8 g	16.5	3.8	9.0	11.5	20.5	Art. 12.016.044._
VAC-2	Art. 10.016.039._	130.134	0.5 mm	1.0 g	16.5	3.8	8.0	11.5	20.5	Art. 12.016.046._
VAC-3	Art. 10.016.038._	130.134	2.5 mm	1.0 g	16.5	3.8	9.0	16.5	25.5	Art. 12.016.045._

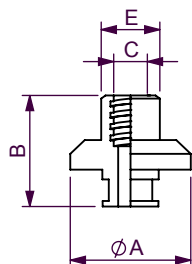
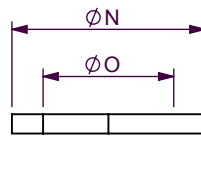
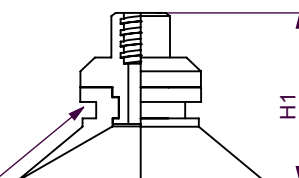




I

VAC



Fitting

Zubehör  
AccessoriesKomplett  
Complete
 Option:  
 Haltering  
 Retaining ring

VAC Art.			Fitting Art.	Haltering Retaining ring Art.	Komplett Complete Art.
10.022.120._	2.5 mm	1.0 g	130.250	HR.011	11.022.020._
10.032.121._	4.5 mm	1.0 g	130.250	HR.011	11.032.021._
10.042.122._	5.0 mm	5.0 g	130.251	HR.012	11.042.022._
10.052.123._	6.5 mm	11.0 g	130.252	HR.013	11.052.023._

 Abmessungen in mm  
 Dimensions in mm

Vakuumsauger Vacuum cups				Fitting				Haltering Retaining ring		
VAC Art.	ØD	H	H1	ØA	B	C	E	ØN	ØO	P
10.022.120._	22	8	17.5	16	14.5	M5	G1/8"	14	9.7	1.8
10.032.121._	32	10	19	16	14.5	M5	G1/8"	14	9.7	1.8
10.042.122._	42	13	21	21	15	G1/8"	Ø 15	20	13	2.5
10.052.123._	52	17.5	27	28	18	G1/8"	Ø 15	26	19	3.2

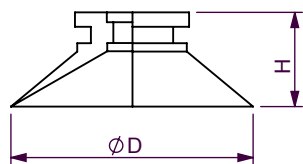
 Art. bei Bestellung mit angegebenem Material ergänzen  
 When ordering add indicated material

Material 01=NBR, 02=S (Silikon/silicone)

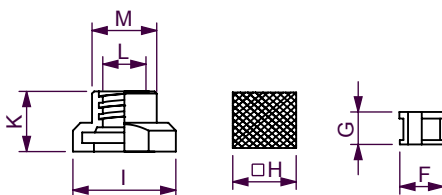
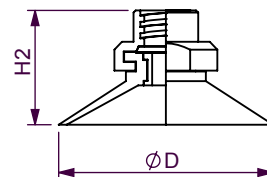
 Weitere Materialien auf Anfrage  
 Further materials on request

II

VAC

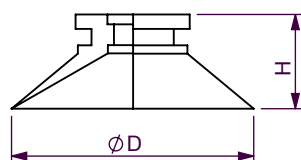


Fitting

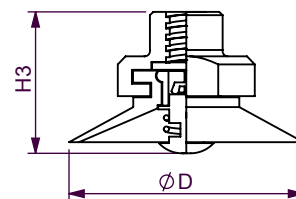
Komplett  
Complete

VAC Art.			Fitting Art.	Komplett Complete Art.
10.022.120._	2.5 mm	1.0 g	130.135	11.022.001._
10.032.121._	4.5 mm	1.0 g	130.135	11.032.012._
10.042.122._	5.0 mm	5.0 g	130.136	11.042.013._
10.052.123._	6.5 mm	11.0 g	130.137	11.052.014._

VAC



Fitting

Tastventil  
Plunger valveKomplett  
Complete

VAC Art.	Fitting Art.	Tastventil Plunger valve Art.	Komplett Complete Art.
10.022.120._	130.135	----	----
10.032.121._	130.135	130.276	11.032.012._TV
10.042.122._	130.136	130.277	11.042.013._TV
10.052.123._	130.137	130.278	11.052.014._TV

VAC Art.	Vakuumsauger Vacuum cups				Fitting						
	ØD	H	H2	H3	ØF	G	□H	ØJ	K	L	M
10.022.120._	22	8	16	---	7	5	11	18	11	M5	G1/8"
10.032.121._	32	10	17.3	20	7	5	11	18	11	M5	G1/8"
10.042.122._	42	13	21	23	10	7	15	23	13	G1/8"	---
10.052.123._	52	17.5	26	28	14	9	21	32	15	G1/8"	---

Abmessungen in mm / Dimensions in mm

Art. bei Bestellung mit angegebenem Material ergänzen  
When ordering add indicated material

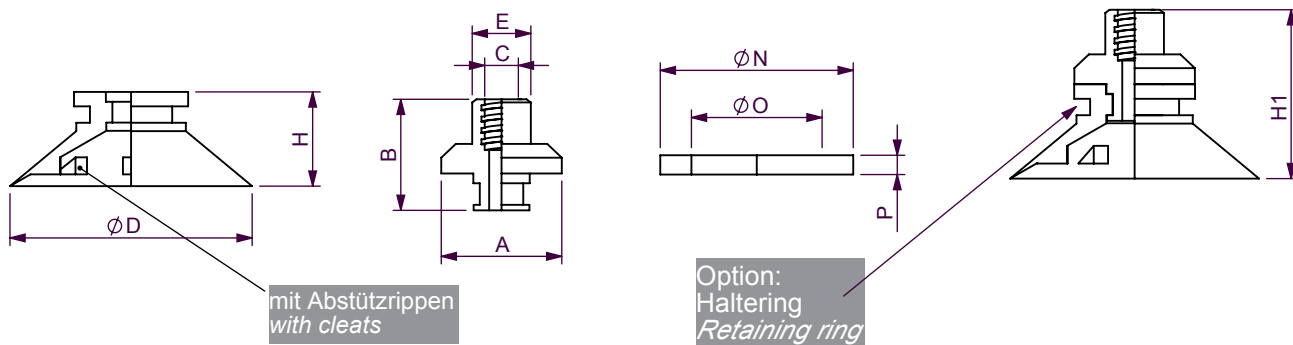
Material 01=NBR, 02=S (Silikon/silicone)

Weitere Materialien auf Anfrage  
Further materials on request

I

VAC

Fitting

Zubehör  
AccessoriesKomplett  
Complete

VAC Art.			Fitting Art.	Haltering Retaining ring Art.	Komplett Complete Art.
10.022.005._	0.5 mm	1.0 g	130.250	HR.011	11.022.015._
10.028.098._	1.0 mm	2.0 g	130.250	HR.011	11.028.016._
10.032.022._	1.5 mm	2.0 g	130.250	HR.011	11.032.017._
10.042.099._	2.0 mm	6.0 g	130.251	HR.012	11.042.018._
10.053.100._	3.0 mm	12.0 g	130.252	HR.013	11.053.019._

 Abmessungen in mm  
 Dimensions in mm

Vakuumsauger Vacuum cups				Fitting				Haltering Retaining ring		
VAC Art.	ØD	H	H1	ØA	B	C	E	ØN	ØO	P
10.022.005._	22	8	17.5	16	14.5	M5	G1/8"	14	9.7	1.8
10.028.098._	28	9	19	16	14.5	M5	G1/8"	14	9.7	1.8
10.032.022._	32	10	19	16	14.5	M5	G1/8"	14	9.7	1.8
10.042.099._	42	13	21	21	15	G1/8"	Ø 15	20	13	2.5
10.053.100._	53	17.5	27	28	18	G1/8"	Ø 15	26	19	3.2

 Art. bei Bestellung mit angegebenem Material ergänzen  
 When ordering add indicated material

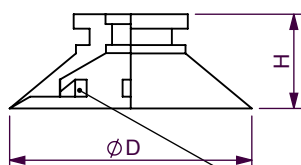
 Material 01=NBR, 02=S (Silikon/*silicone*)

 Weitere Materialien auf Anfrage  
 Further materials on request

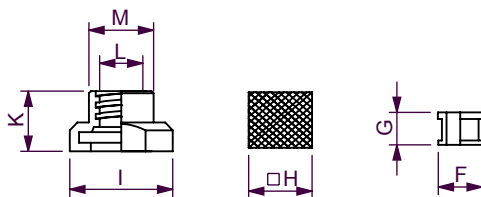
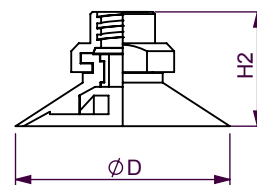


II

VAC

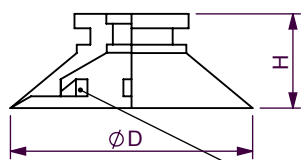
mit Abstützrippen  
with cleats

Fitting

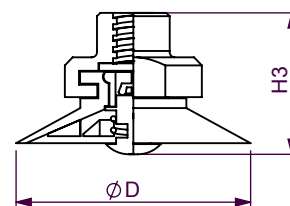
Komplett  
Complete

VAC Art.			Fitting Art.	Komplett Complete Art.
10.022.005._	0.5 mm	1.0 g	130.135	11.022.004._
10.028.098._	1.0 mm	2.0 g	130.135	11.028.005._
10.032.022._	1.5 mm	2.0 g	130.135	11.032.006._
10.042.099._	2.0 mm	6.0 g	130.136	11.042.007._
10.053.100._	3.0 mm	12.0 g	130.137	11.053.008._

VAC

mit Abstützrippen  
with cleats

Fitting

Tastventil  
Plunger valveKomplett  
Complete

VAC Art.	Fitting Art.	Tastventil Plunger valve Art.	Komplett Complete Art.
10.022.005._	130.135	----	----
10.028.098._	130.135	----	----
10.032.022._	130.135	130.276	11.032.006._TV
10.042.099._	130.136	130.277	11.042.007._TV
10.053.100._	130.137	130.278	11.053.008._TV

Vakuumsauger Vacuum cups					Fitting						
VAC Art.	ØD	H	H2	H3	ØF	G	□H	ØJ	K	L	M
10.022.005._	22	8	16	---	7	5	11	18	11	M5	G1/8"
10.028.098._	28	9	17	---	7	5	11	18	11	M5	G1/8"
10.032.022._	32	10	18	20	7	5	11	18	11	M5	G1/8"
10.042.099._	42	13	21	23	10	7	15	23	13	G1/8"	---
10.053.100._	53	17.5	26	28	14	9	21	32	15	G1/8"	---

Abmessungen in mm | Dimensions in mm

Art. bei Bestellung mit angegebenem Material ergänzen  
When ordering add indicated materialMaterial 01=NBR, 02=S (Silikon) *silicone*Weitere Materialien auf Anfrage  
Further materials on request

**I**

Art. 10.022.126.\_      Art. 130.250      Art. HR.011      Art. 11.022.028.\_

Art. 10.022.126.\_      Art. 130.135      Art. 11.022.025.\_

2.5 mm     
 0.1 g     
 Material 01=NBR, 02=S (Silikon/*silicone*)

Weitere Materialien auf Anfrage  
 Further materials on request

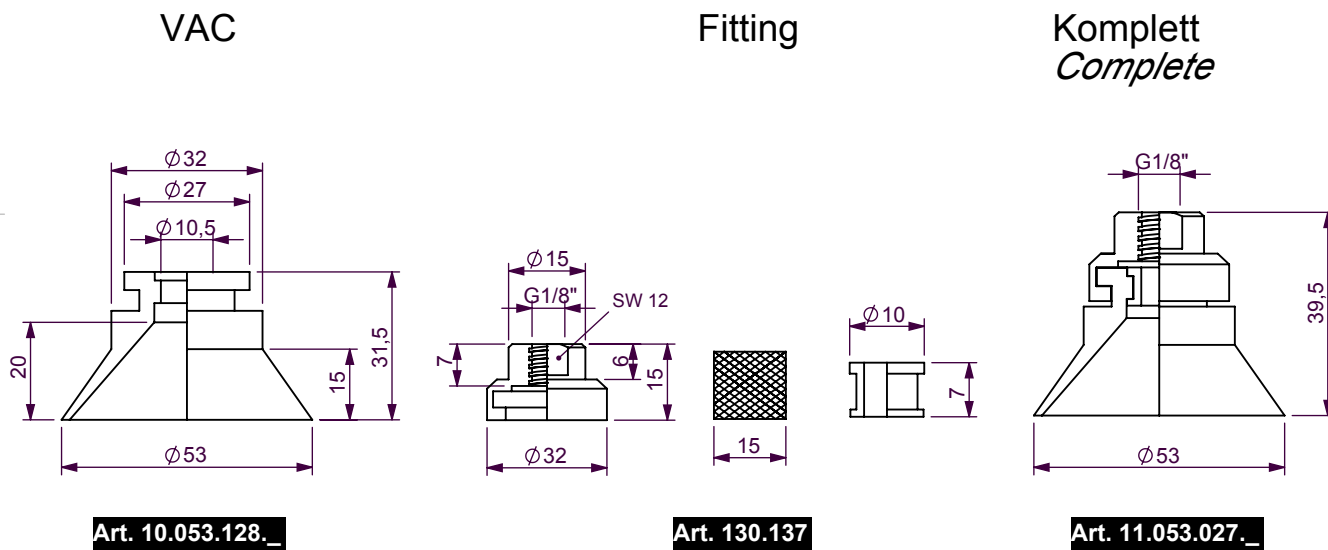
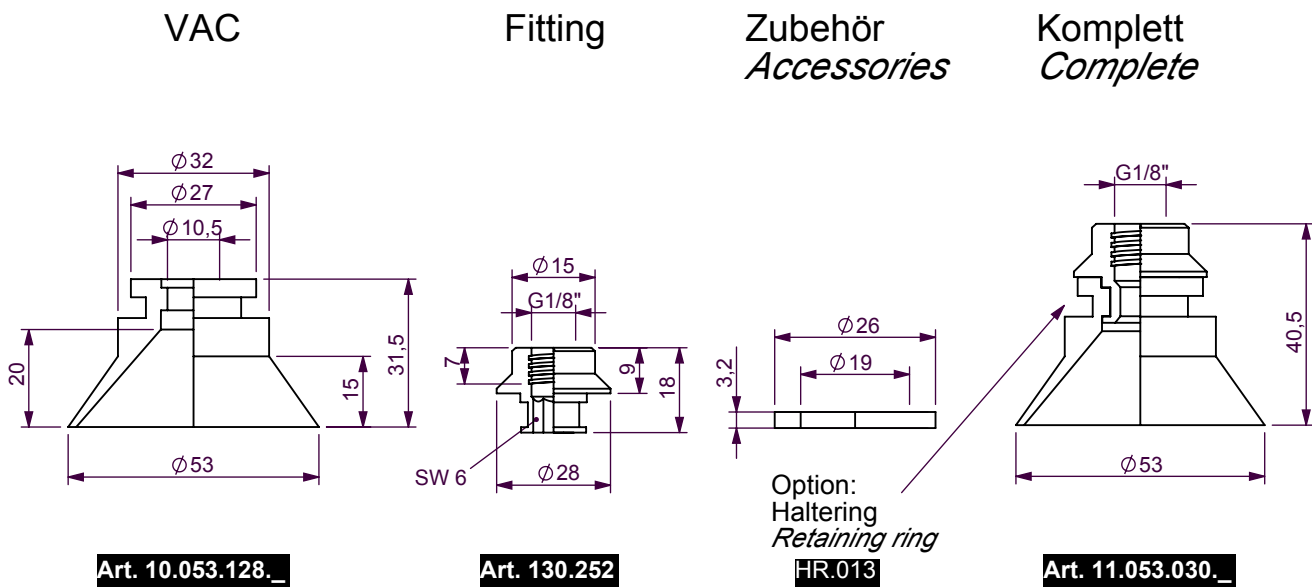
**II**

Art. 10.032.127.\_      Art. 130.250      Art. HR.011      Art. 11.032.029.\_

Art. 10.032.127.\_      Art. 130.135      Art. 11.032.026.\_

5.0 mm     
 3.0 g     
 Art. bei Bestellung mit angegebenem Material ergänzen  
 When ordering add indicated material  
 Material 01=NBR, 02=S (Silikon/*silicone*)

Weitere Materialien auf Anfrage  
 Further materials on request



Art. bei Bestellung mit angegebenem Material ergänzen  
 When ordering add indicated material

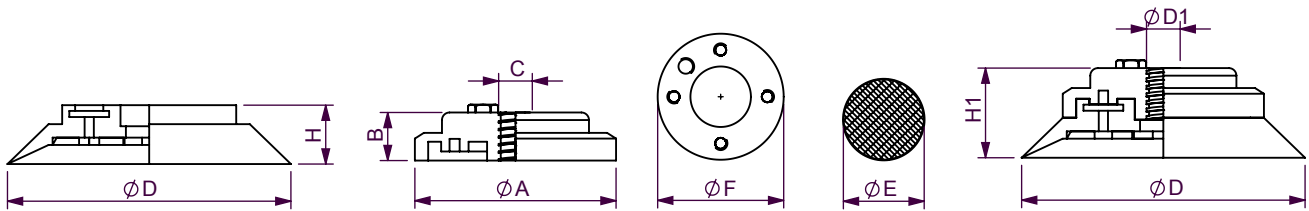
Weitere Materialien auf Anfrage  
 Further materials on request



01=NBR, 02=S (Silikon/*silicone*) 05=PU (Polyurethan/*polyurethane*)



## VAC

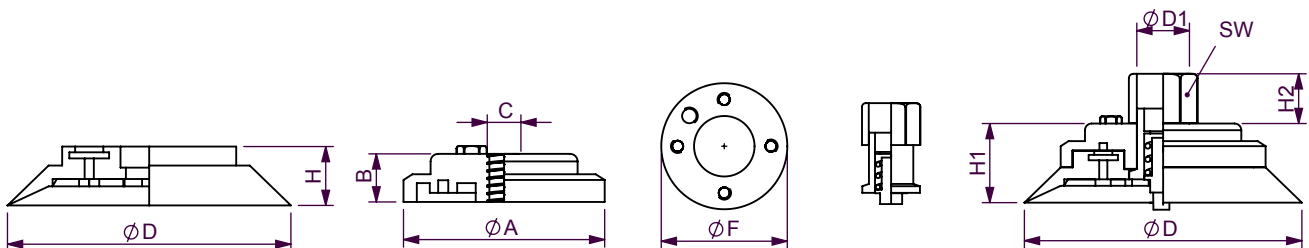
## Fitting

Komplett  
Complete

VAC Art.			Fitting Art.	Komplett Complete Art.
10.075.117._	2.0 mm	24 g	130.138	11.075.009._
10.110.118._	5.0 mm	74 g	130.139	11.110.010._
10.150.119._	5.0 mm	199 g	130.140	11.150.011._

## VAC

## Fitting

Tastventil  
Plunger valveKomplett  
Complete

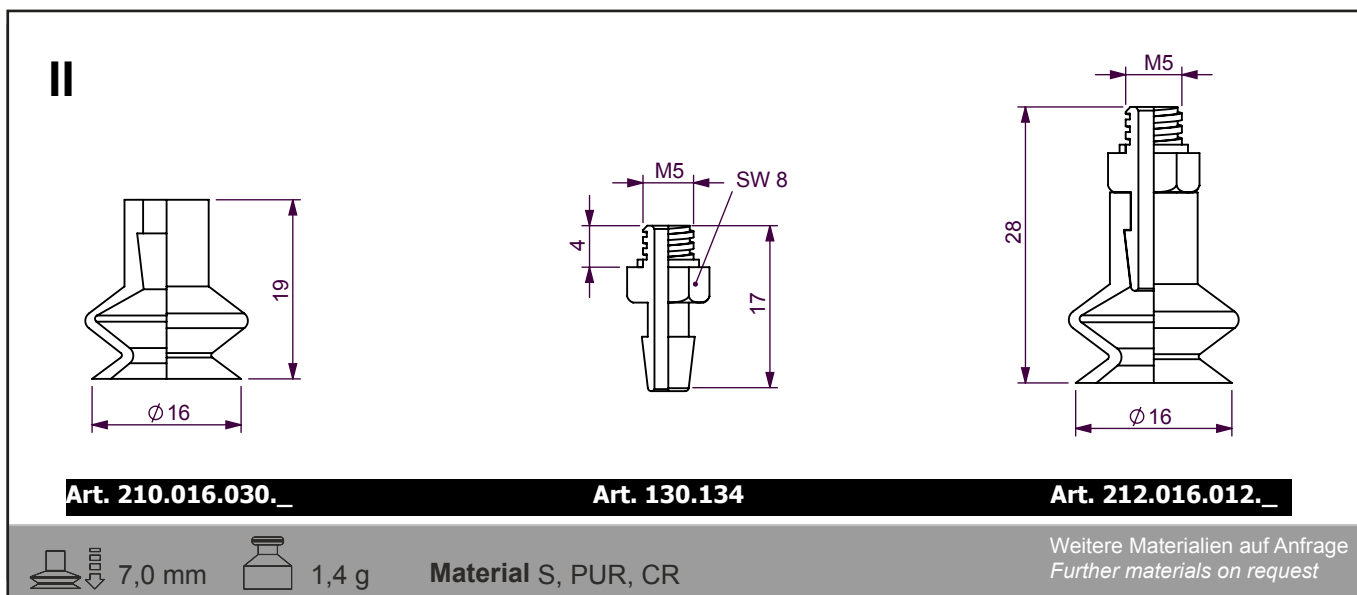
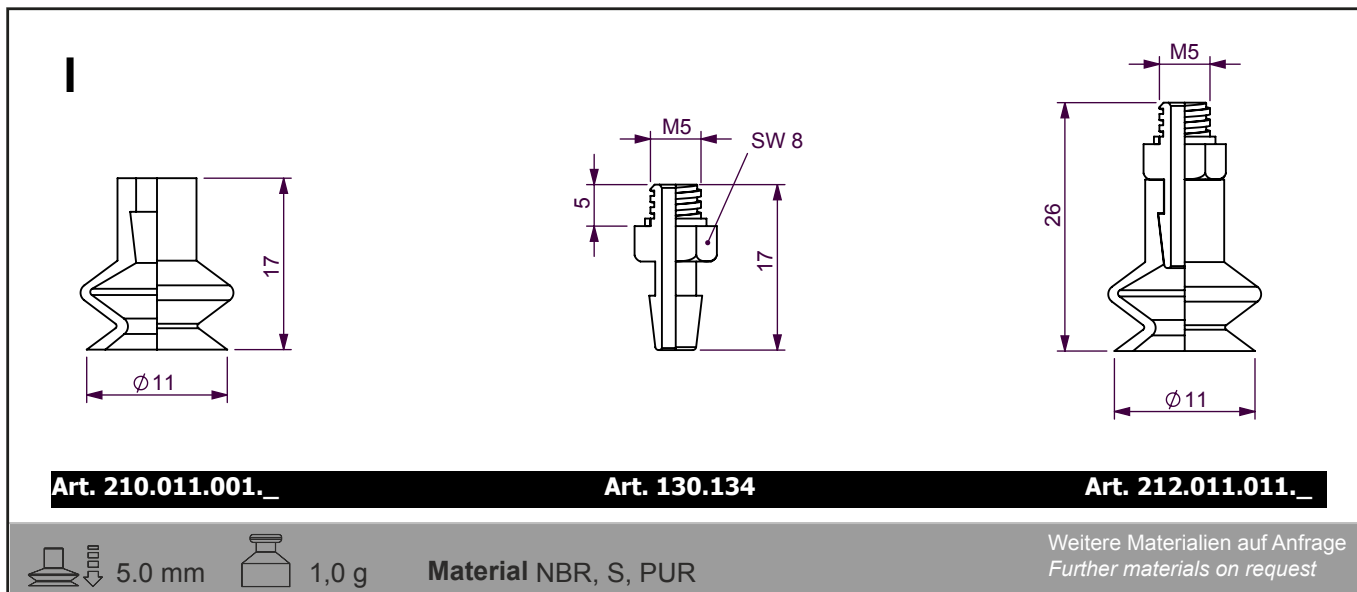
VAC Art.	Fitting Art.	Tastventil Plunger valve Art.	Komplett Complete Art.
10.075.117._	130.138A	135.206	10.075.009._TV
10.110.118._	130.139A	135.206	10.110.010._TV
10.150.119._	130.140A	135.207	10.150.011._TV

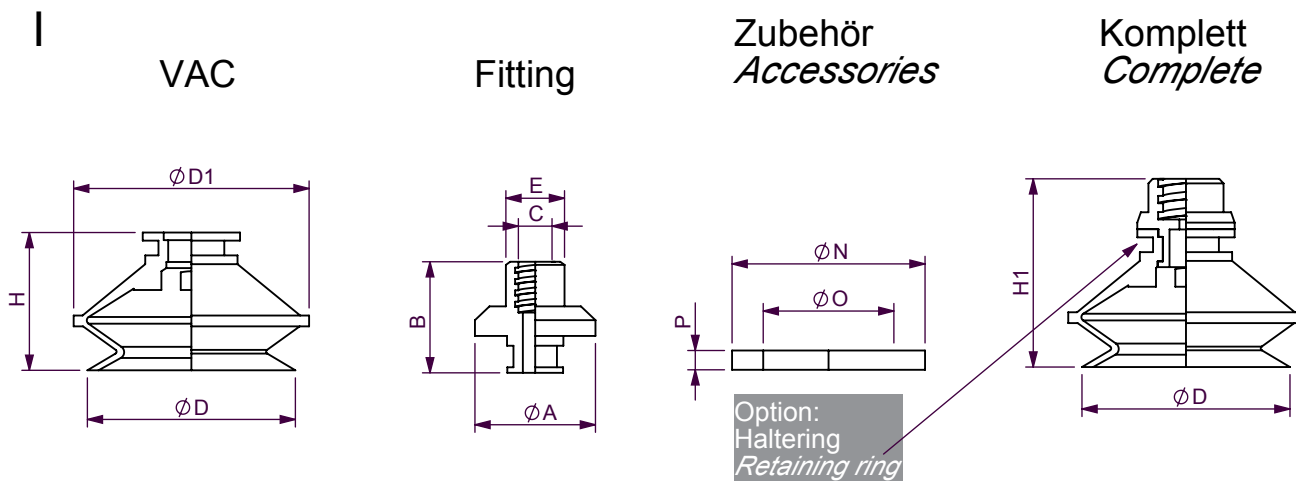
VAC Art.	Vakuumsauger / Vacuum cups					Fitting					
	Ø D	Ø D1	H	H1	H2	Ø A	B	C	Ø E	Ø F	SW
10.075.117._	75	G1/8"	14	20	17	60	12	G1/8"	15	50	14
10.110.118._	110	G1/2"	19	26	32	85	13	G1/2"	30	74	30
10.150.119._	150	G1/2"	25	32	32	120	14	G1/2"	30	100	30



Abmessungen in mm / Dimensions in mm

**Material** 01=NBR, 02=S (Silikon/silicone)

 Weitere Materialien auf Anfrage  
 Further materials on request





VAC Art.			Fitting Art.	Haltering Retaining ring Art.	Komplett Complete Art.
<b>210.020.031._</b>	9.0 mm	2.5 g	<b>130.250</b>	<b>HR.011</b>	<b>211.020.010._</b>
<b>210.033.019._</b>	9.0 mm	6.5 g	<b>130.250</b>	<b>HR.011</b>	<b>211.033.011._</b>
<b>210.042.020._</b>	9.0 mm	10.0 g	<b>130.251</b>	<b>HR.012</b>	<b>211.042.012._</b>
<b>210.052.032._</b>	12.0 mm	22.0 g	<b>130.252</b>	<b>HR.013</b>	<b>211.052.013._</b>

Vakuumsauger Vacuum cups					Fitting				Haltering Retaining ring		
VAC Art.	Ø D	Ø D1	H	H1	Ø A	B	C	Ø E	Ø N	Ø O	P
<b>210.020.031._</b>	21.5	24	20	28.5	16	14.5	M5	G1/8"	14	9.7	1.8
<b>210.033.019._</b>	33	36	26	33.5	16	14.5	M5	G1/8"	14	9.7	1.8
<b>210.042.020._</b>	42	46	28	36.0	21	15	G1/8"	Ø 15	20	13	2.5
<b>210.052.032._</b>	52	58	35	44.0	28	18	G1/8"	Ø 15	26	19	3.2

Abmessungen in mm / Dimensions in mm

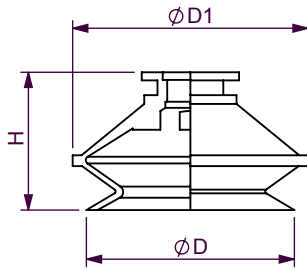
 Art. bei Bestellung mit angegebenem Material ergänzen  
 When ordering add indicated material

 Weitere Materialien auf Anfrage  
 Further materials on request

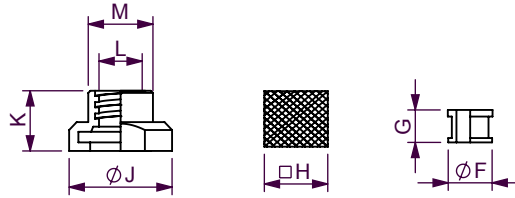
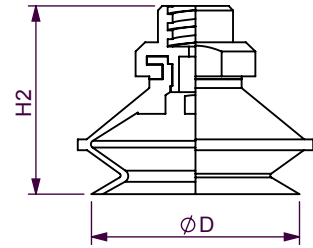
**Material** 01=NBR, 02=S (Silikon/*silicone*), 04= CR (Chloropren/*chloroprene*), 05=PU (Polyurethan/*polyurethane*)

II

VAC



Fitting

Komplett  
Complete

VAC Art.			Fitting Art.	Komplett Complete Art.
210.020.031._	9.0 mm	2.5 g	130.135	211.020.002._
210.033.019._	9.0 mm	6.5 g	130.135	211.033.003._
210.042.020._	9.0 mm	10.0 g	130.136	211.042.004._
210.052.032._	12.0 mm	22.0 g	130.137	211.052.005._

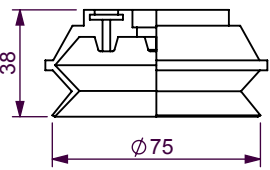
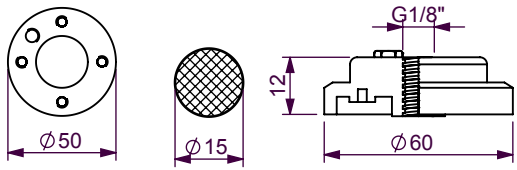
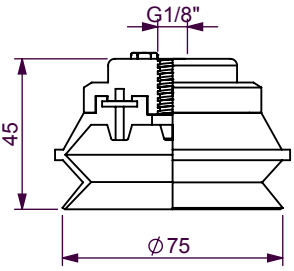



Vakuumsauger Vacuum cups					Fitting						
VAC Art.	Ø D	Ø D1	H	H2	Ø F	G	□ H	Ø J	K	L	M
210.020.031._	21.5	24	20	26.5	7	5	11	18	11	M5	G1/8"
210.033.019._	33	36	26	34.5	7	5	11	18	11	M5	G1/8"
210.042.020._	42	46	28	35.0	10	7	15	23	13	G1/8"	---
210.052.032._	52	58	35	43.0	14	9	21	32	15	G1/8"	---

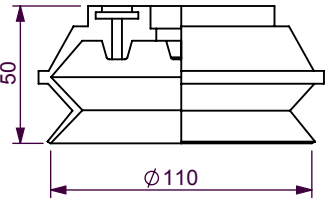
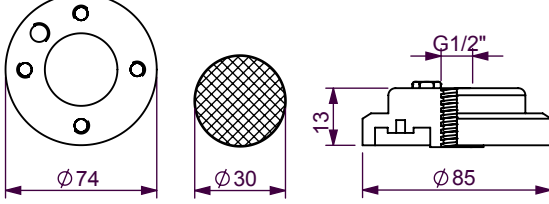
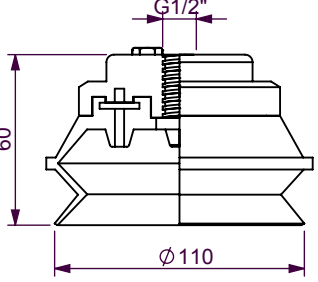



Abmessungen in mm / Dimensions in mm

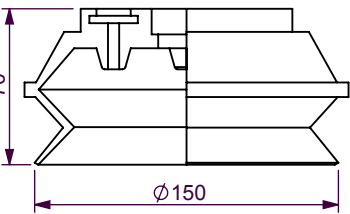
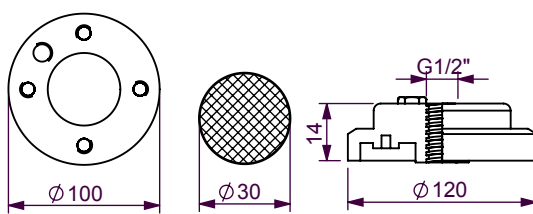
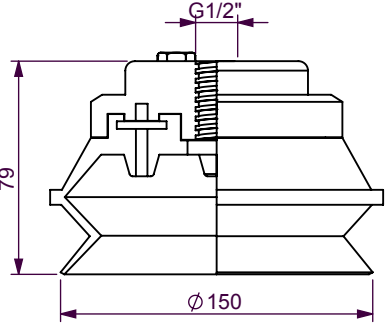



 Art. bei Bestellung mit angegebenem Material ergänzen  
 When ordering add indicated material

 Weitere Materialien auf Anfrage  
 Further materials on request

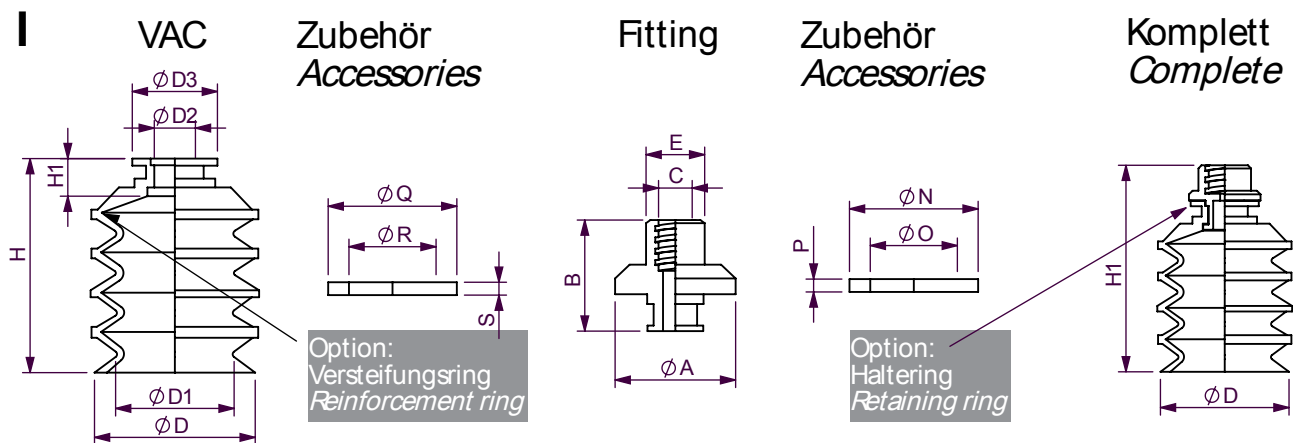
**Material** 01=NBR, 02=S (Silikon/*silicone*), 04= CR (Chloropren/*chloroprene*), 05=PU (Polyurethan/*polyurethane*)



I	VAC	Fitting	Komplett Complete
			
	38 Ø75	Ø50 Ø15 12 Ø60 G1/8"	45 Ø75 G1/8"
	<b>Art. 210.075.033._</b>	<b>Art. 130.138</b>	<b>Art. 211.075.006._</b>
	 22,0 mm	 45 g	 113 g
	Material NBR, S		

II	VAC	Fitting	Komplett Complete
			
	50 Ø110	Ø74 Ø30 13 Ø85 G1/2"	60 Ø110 G1/2"
	<b>Art. 210.110.034._</b>	<b>Art. 130.139</b>	<b>Art. 211.110.007._</b>
	 35,0 mm	 110 g	 260 g
	Material NBR, S		

III	VAC	Fitting	Komplett Complete
			
	70 Ø150	Ø100 Ø30 14 Ø120 G1/2"	79 Ø150 G1/2"
	<b>Art. 210.150.035._</b>	<b>Art. 130.140</b>	<b>Art. 211.150.008._</b>
	 40,0	 293 g	 580 g
	Material NBR, S, PUR		





VAC Art.			Versteifungsring Reinforcement ring	Fitting Art.	Haltering Retaining ring	Komplett Complete Art.
240.020.002._	16 mm	2.0 g	<b>VR.000</b>	<b>130.250</b>	<b>HR.011</b>	<b>241.020.005._</b>
240.030.003._	21 mm	6.0 g	<b>VR.001</b>	<b>130.251</b>	<b>HR.012</b>	<b>241.030.006._</b>
240.040.004._	20 mm	15.0 g	<b>VR.002</b>	<b>130.251</b>	<b>HR.012</b>	<b>241.040.007._</b>
240.050.005._	25 mm	25.0 g	<b>VR.003</b>	<b>130.252</b>	<b>HR.013</b>	<b>241.050.008._</b>

Vakuumsauger / Vacuum cups								Fitting			
VAC Art.	Ø D	Ø D1	Ø D2	Ø D3	H	H1	H2	Ø A	B	C	E
240.020.002._	20	14	5.0	14.5	23	5	32	16	14.5	M5	G1/8"
240.030.003._	30	21	6.5	20	32	7	40	21	15	G1/8"	Ø15
240.040.004._	40	28	6.5	20	42	7	50	21	15	G1/8"	Ø15
240.050.005._	50	35	10.5	27	52	10	61	28	18	G1/8"	Ø15

Versteifungsring / Reinforcement ring				Haltering / Retaining ring			
Art.	Q	R	S	Art.	N	O	P
<b>VR.000</b>	17.5	13.5	1.0	<b>HR.011</b>	14	9.7	1.8
<b>VR.001</b>	26.5	22	1.1	<b>HR.012</b>	20	13	2.5
<b>VR.002</b>	35.5	30	1.2	<b>HR.012</b>	20	13	2.5
<b>VR.003</b>	45.5	36	1.5	<b>HR.013</b>	26	19	3.2

Abmessungen in mm / Dimensions in mm

Art. bei Bestellung mit angegebenem Material ergänzen

When ordering add indicated material

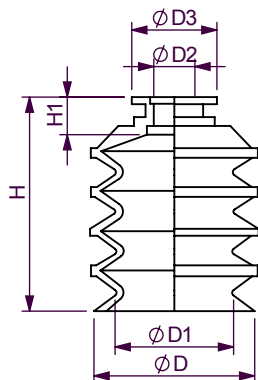
**Material** 02=S (Silikon/silicone), 04=CR (Chloropren/chloroprene)

Weitere Materialien auf Anfrage

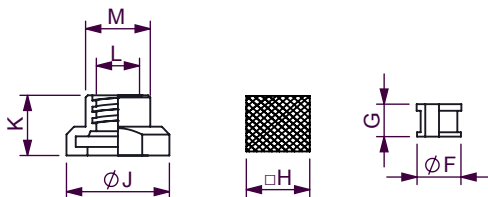
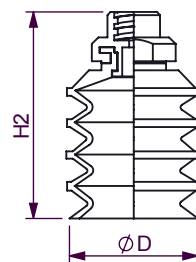
Further materials on request

II

VAC



Fitting

Komplett  
Complete

VAC Art.			Fitting Art.	Komplett Complete Art.
240.020.002._	16 mm	2.0 g	130.135	241.020.001._
240.030.003._	21 mm	6.0 g	130.136	241.030.002._
240.040.004._	20 mm	15.0 g	130.136	241.040.003._
240.050.005._	25 mm	25.0 g	130.137	241.050.004._

Vakuumsauger / Vacuum cups								Fitting						
VAC Art.	Ø D	Ø D1	Ø D2	Ø D3	H	H1	H2	Ø F	G	□ H	Ø J	K	L	M
240.020.002._	20	14	5.0	14.5	23	5	30	7	5	11	18	11	M5	G1/8"
240.030.003._	30	21	6.5	20	32	7	40	10	7	15	23	13	M5	---
240.040.004._	40	28	6.5	20	42	7	50	10	7	15	23	13	G1/8"	---
240.050.005._	50	35	10.5	27	52	10	61	14	9	21	32	15	G1/8"	---

Abmessungen in mm / Dimensions in mm

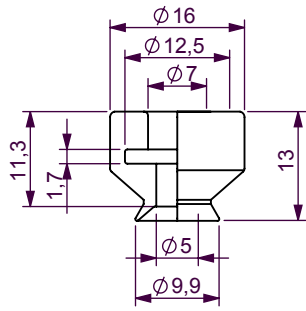
Art. bei Bestellung mit angegebenem Material ergänzen

When ordering add indicated material

Material 02=S (Silikon/silicone), 04=CR (Chloropren/chloroprene)

Weitere Materialien auf Anfrage

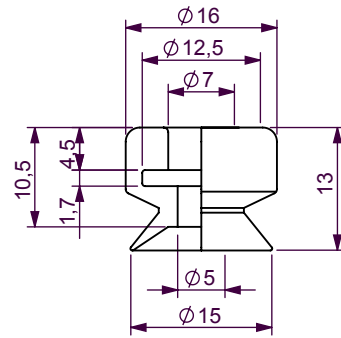
Further materials on request


**Art. 10.010.584.\_**


1,7 g

**S(tr)**

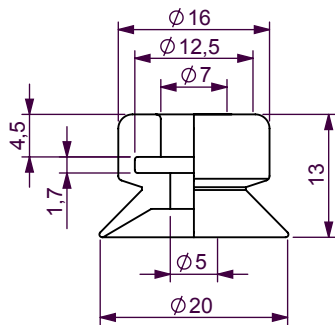

1,5 mm


**Art. 10.015.585.\_**


1,9 g

**S(tr)**

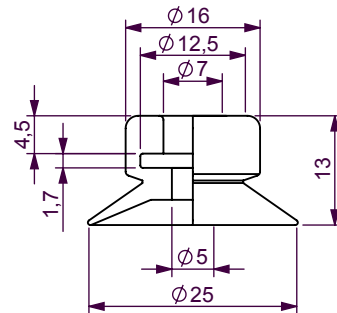

3,5 mm


**Art. 10.020.586.\_**


2,0 g

**S** (tr)

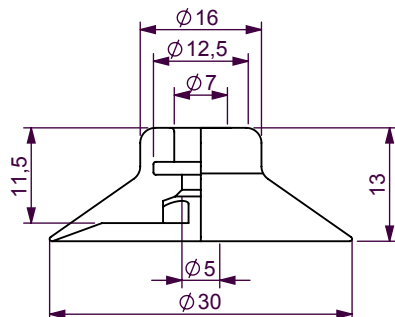

3,5 mm


**Art. 10.025.587.\_**


2,2 g

**NBR** (sw)

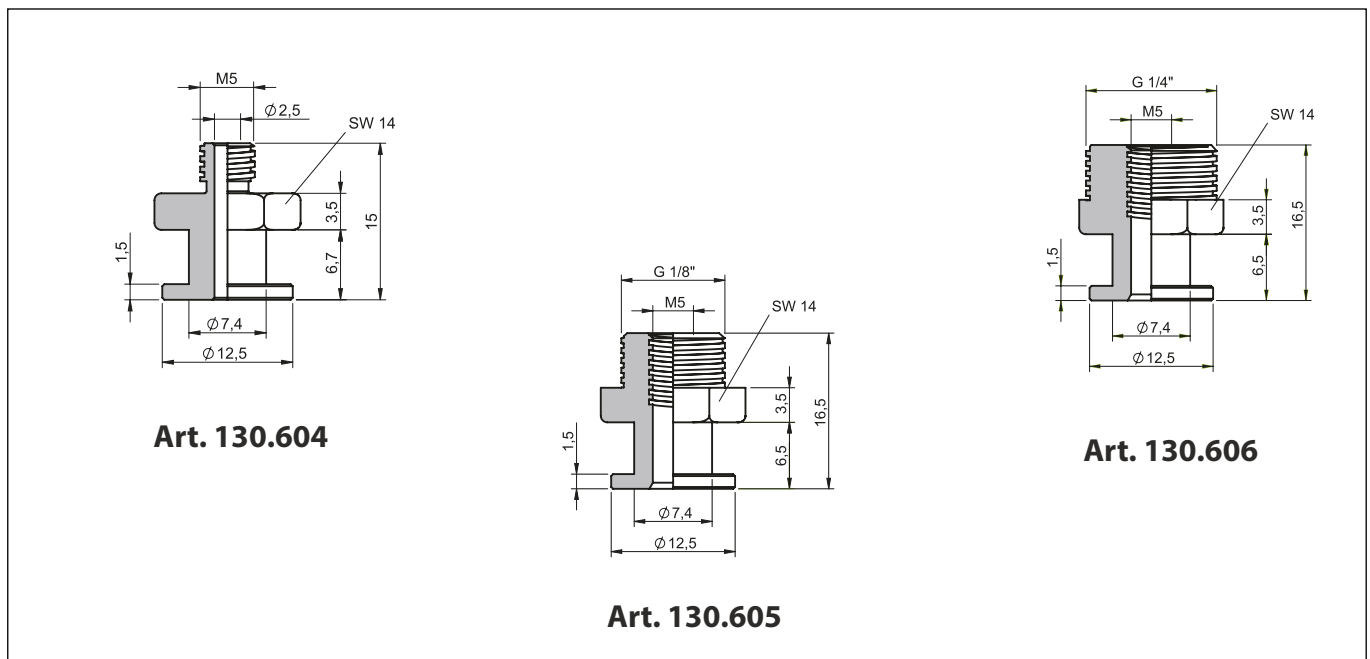
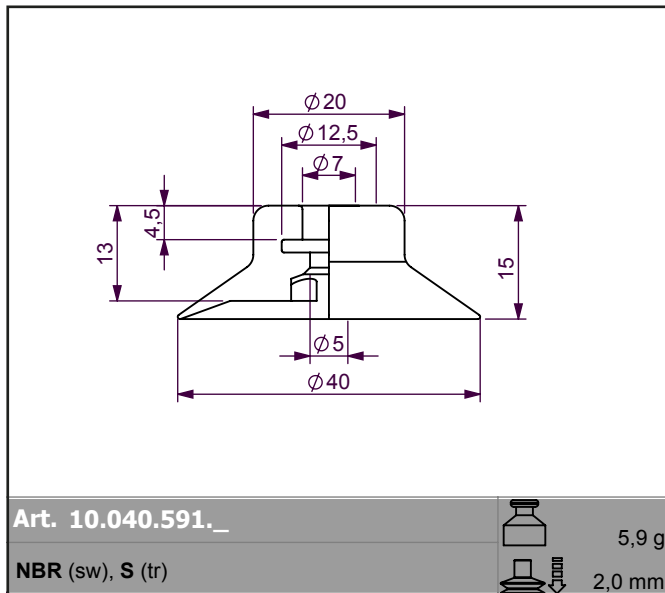

3,0 mm


**Art. 10.030.590.\_**

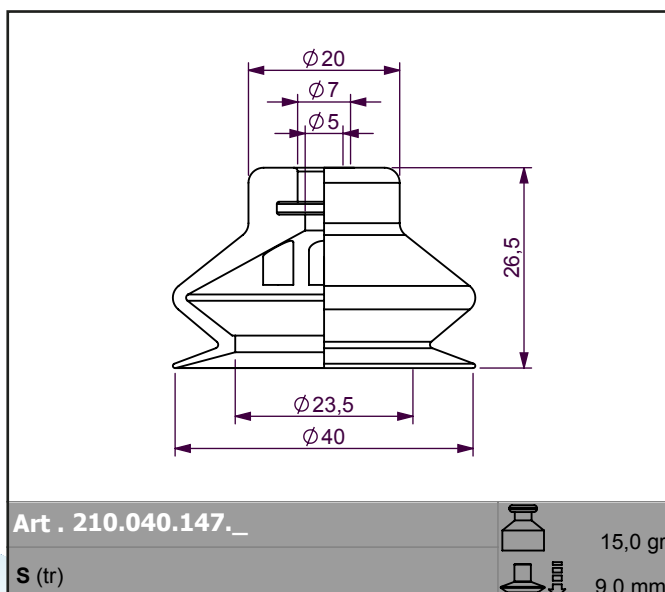
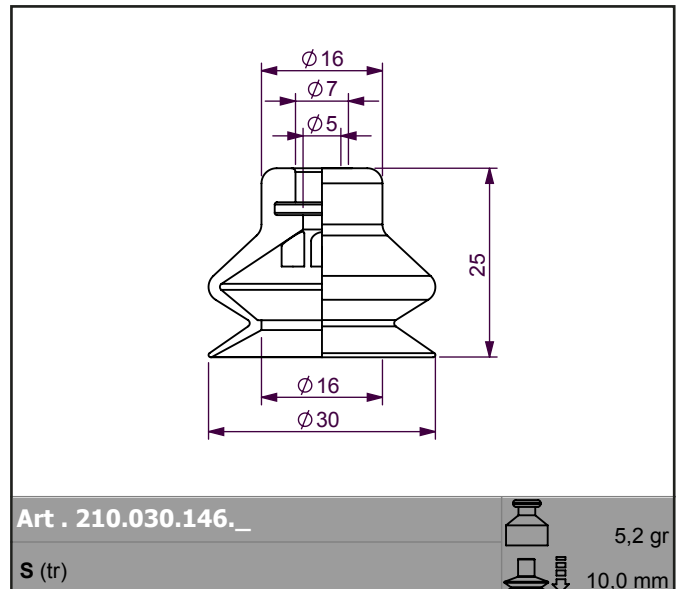
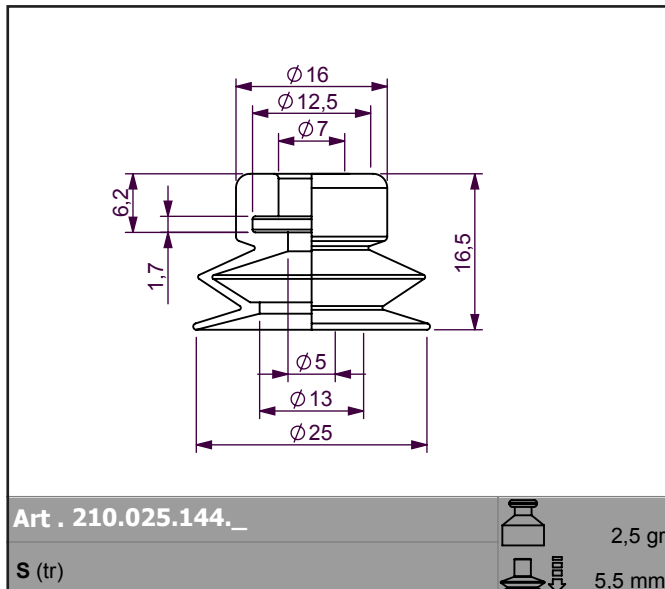
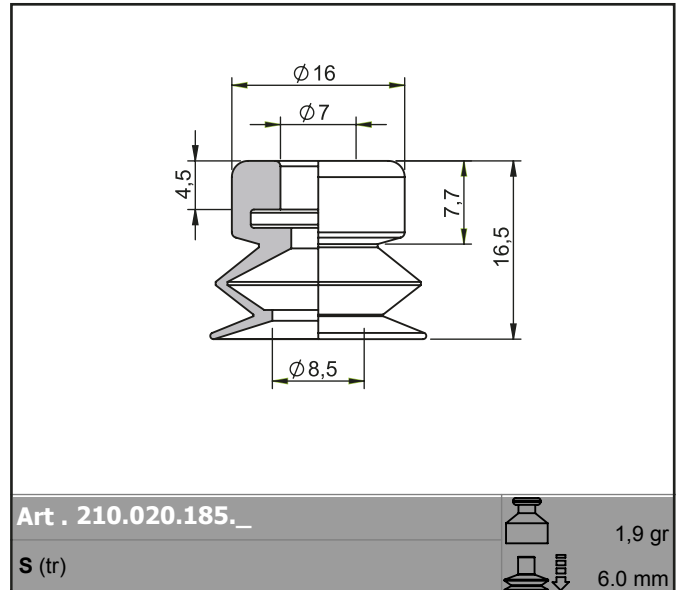
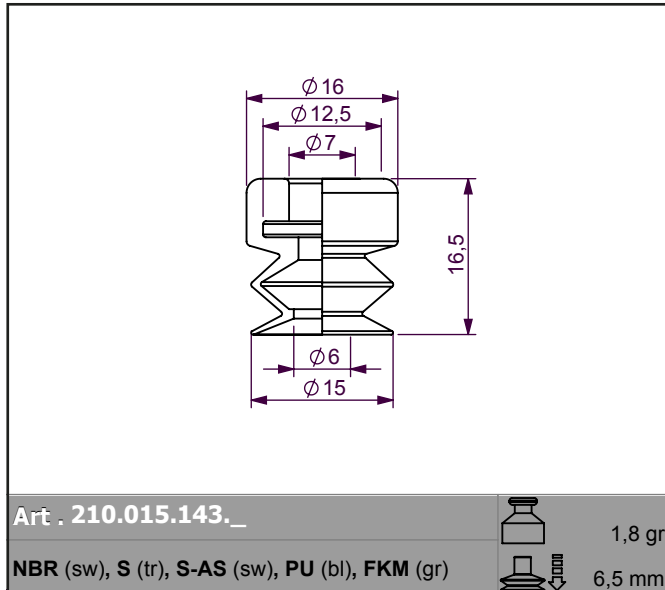

3,0 g

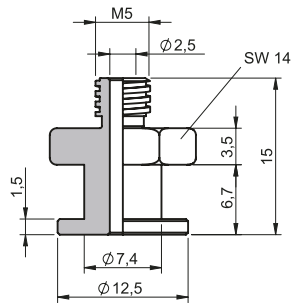
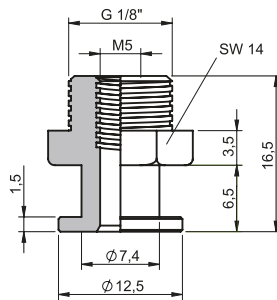
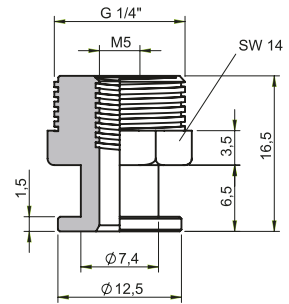
**NBR** (sw), **S** (tr)


1,5 mm

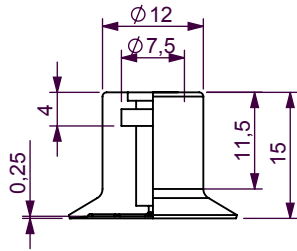
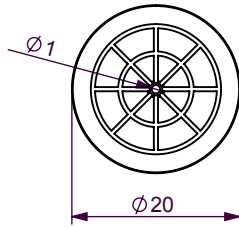


**MORALI** Balgensauger Ø15 – Ø40 mm VAC Reihe "N" | *Bellows vacuum cups Ø15 – Ø40 mm VAC Line "N"*  
 für Maschinen in der Bedruckungstechnik, Verpackungs- u. Kunststoffindustrie  
 For machines in the printing technology, packaging and plastic industry

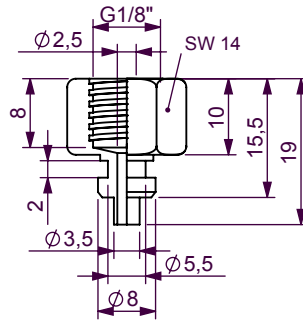



**Art. 130.604**

**Art. 130.605**

**Art. 130.606**

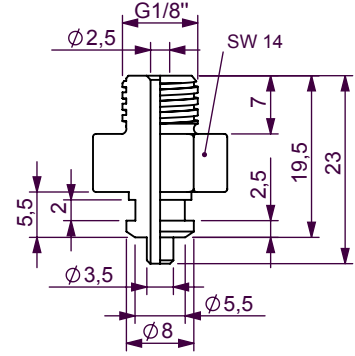
Solarzellen (Dicke < 0,2 mm), Siliziumscheiben, Halbleiter, Dünnstglas, Folien, usw.  
 Solar cells (thickness < 0,2 mm), silicium wafer, semiconductor, thinnest glass, foils, etc.



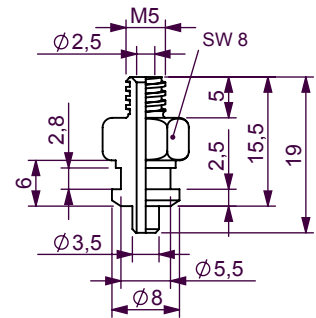
**Art. 10.020.626.\_**



**Art. 130.086**



**Art. 130.085**

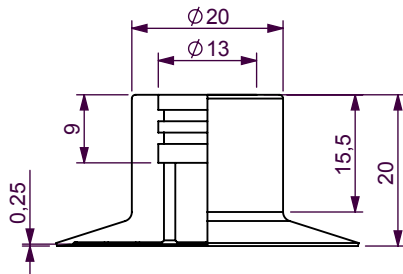
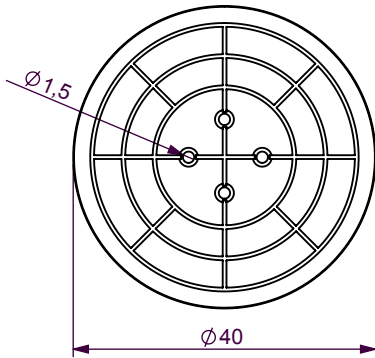


**Art. 130.037**

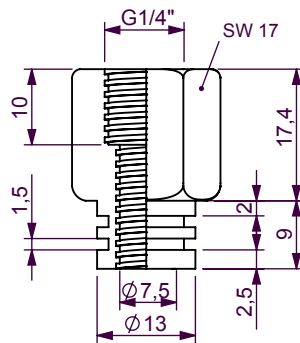
Art. bei Bestellung mit angegebenem Material ergänzen  
 When ordering add indicated material

**Material** Naturgummi 40° shore / Natural rubber 40° shore

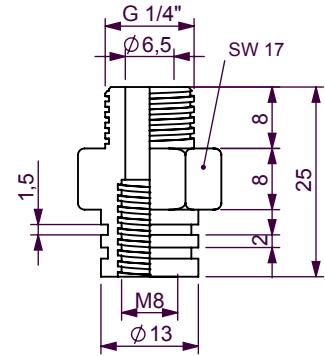
Weitere Materialien auf Anfrage  
 Further materials on request



**Art. 10.040.627.\_**



**Art. 130.098**

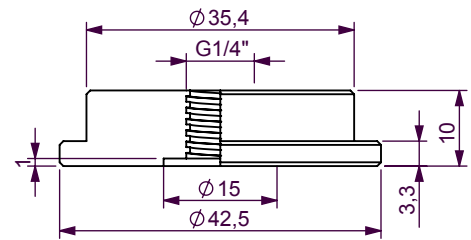
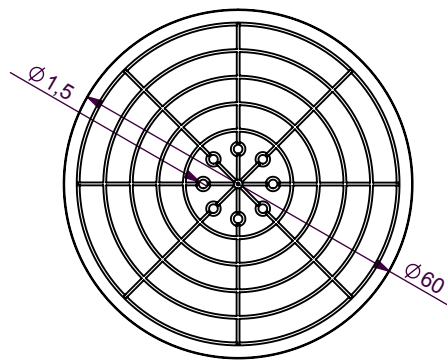
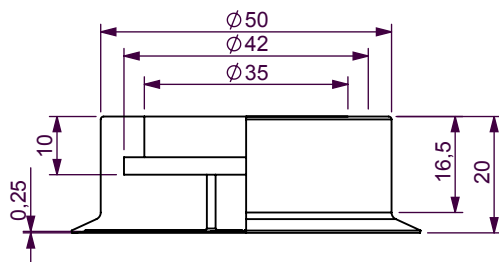


**Art. 130.097**

\*Art. bei Bestellung mit angegebenem Material ergänzen  
 When ordering add indicated material

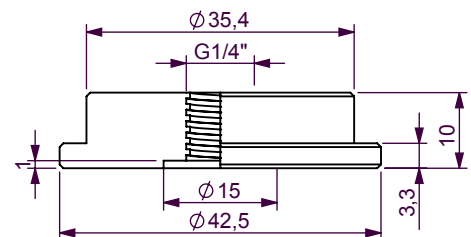
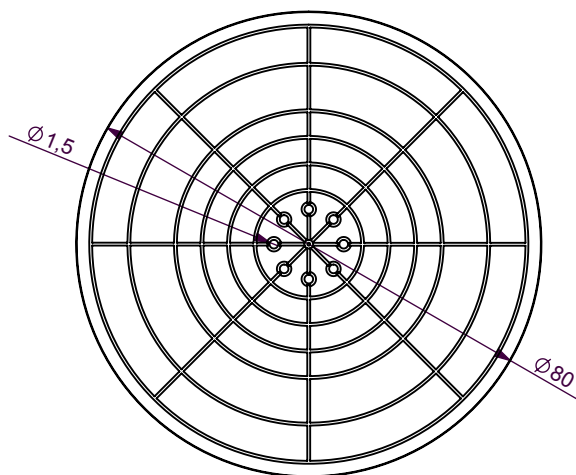
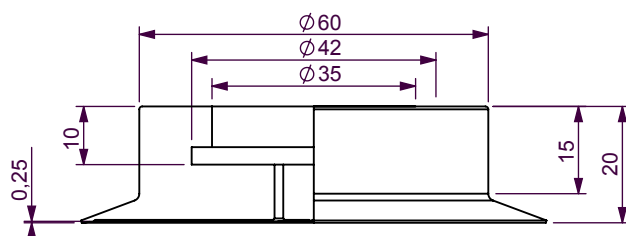
**Material** Naturgummi 40° shore / Natural rubber 40° shore

\*Weitere Materialien auf Anfrage  
 Further materials on request


**Art. 130.528**

**Art. 10.060.628.\_**

 Art. bei Bestellung mit angegebenem Material ergänzen  
 When ordering add indicated material

 Weitere Materialien auf Anfrage  
 Further materials on request

**Material** Naturgummi 40° shore / Natural rubber 40° shore

**Art. 130.528**

**Art. 10.080.629.\_**

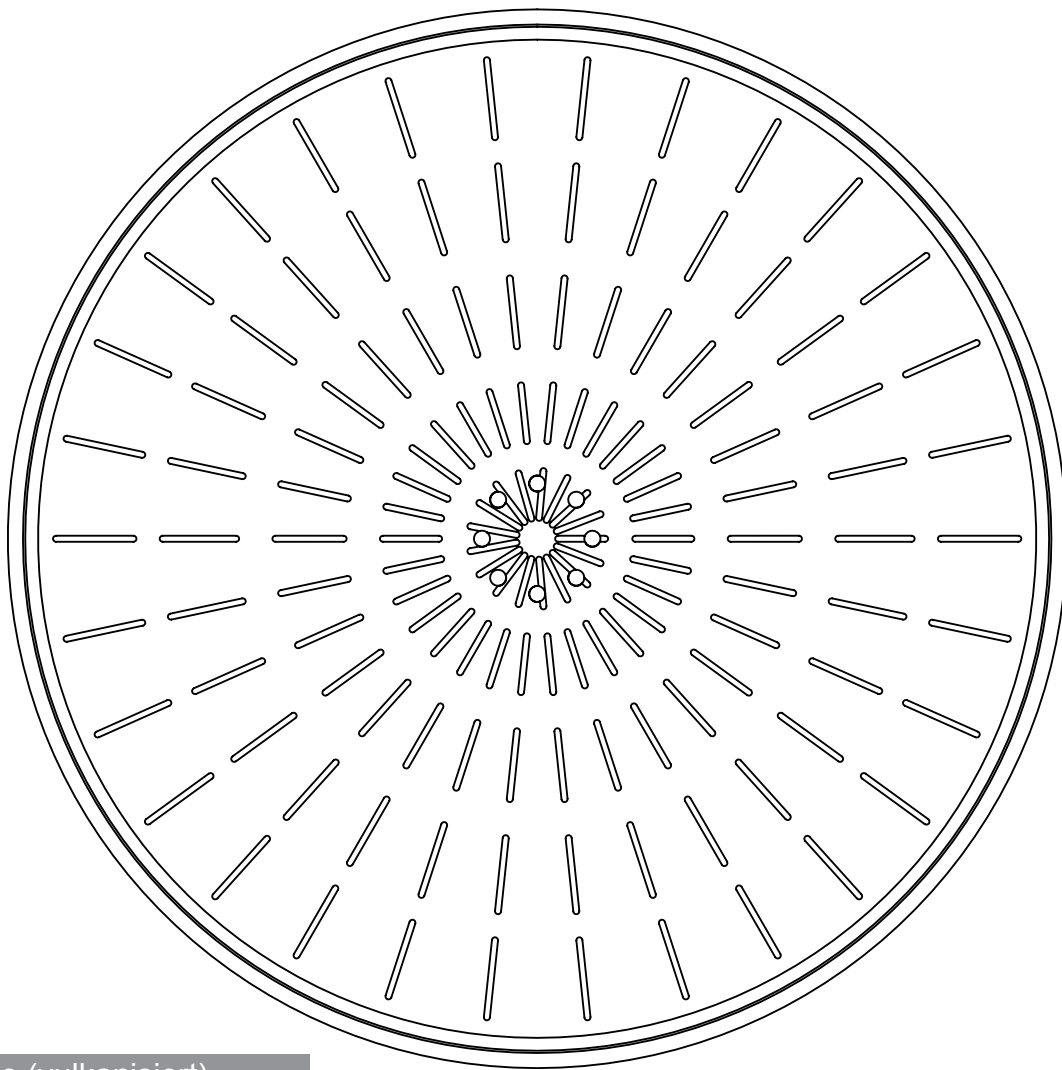
 Art. bei Bestellung mit angegebenem Material ergänzen  
 When ordering add indicated material

 Weitere Materialien auf Anfrage  
 Further materials on request

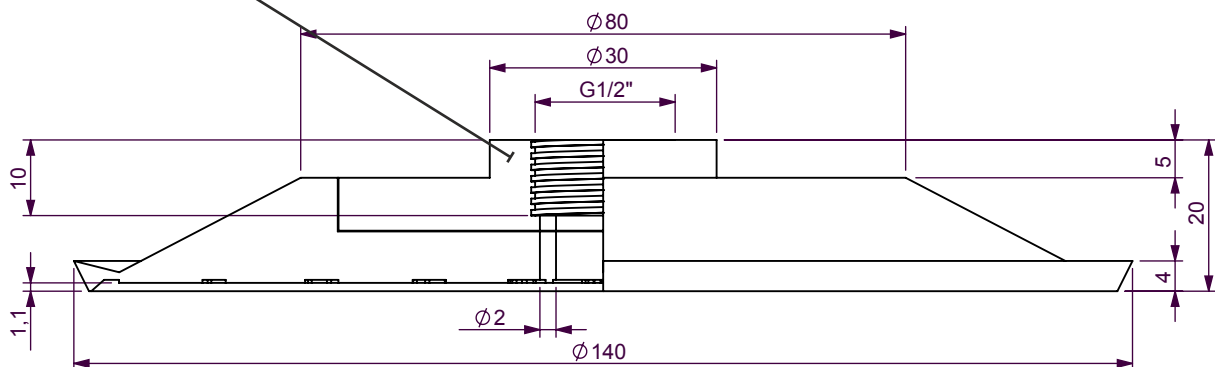
**Material** Naturgummi 40° shore / Natural rubber 40° shore



Solarzellen (Dicke < 0,2 mm), Siliziumscheiben, Halbleiter, Dünnstglas, Folien, usw.  
 Solar cells (thickness < 0,2 mm), silicium wafer, semiconductor, thinnest glass, foils, etc.



Aluplatte (vulkanisiert)  
 Aluminium plate (vulcanised)

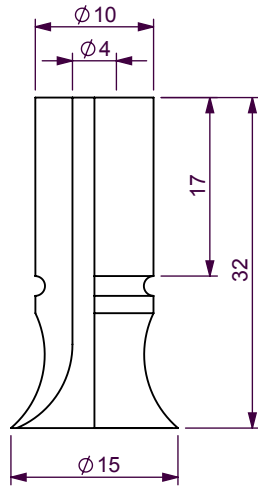


**Art. 13.140.064.\_**

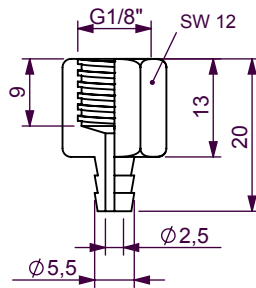
Art. bei Bestellung mit angegebenem Material ergänzen  
 When ordering add indicated material

Weitere Materialien auf Anfrage  
 Further materials on request

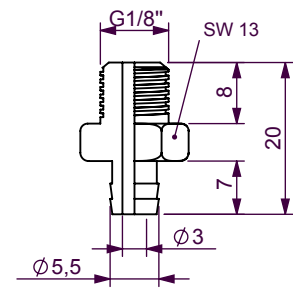
**Material** Naturgummi 40° shore / Natural rubber 40° shore



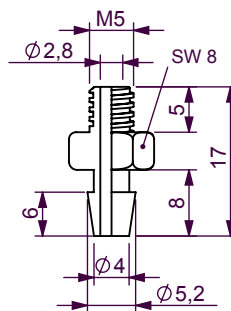
**Art. 10.015.114\_**



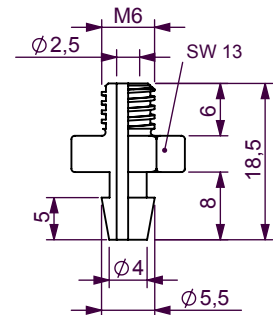
**Art. 130.035**



**Art. 130.033**



**Art. 130.134**



**Art. 130.104**

Art. bei Bestellung mit angegebenem Material ergänzen  
 When ordering add indicated material

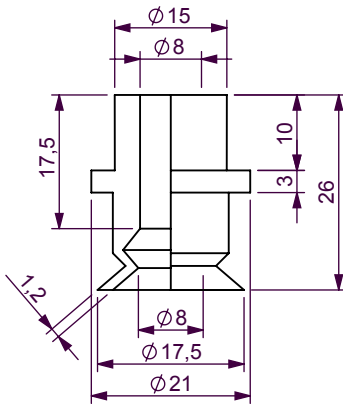
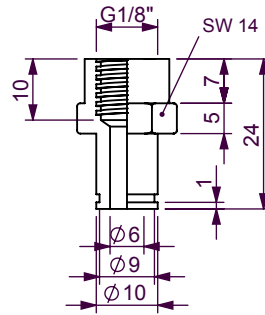
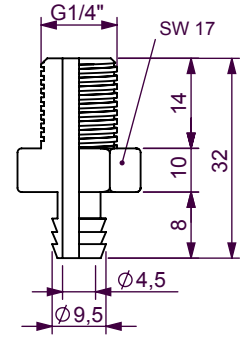
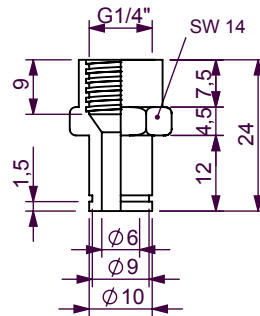
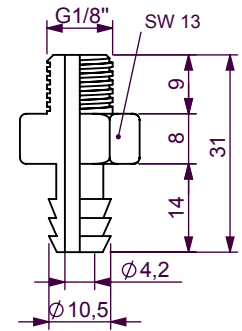
**Material** NR-Soft (br)



1.8 gr

6.0 mm

Weitere Materialien auf Anfrage  
 Further materials on request

**Art. 10.016.092\_****Art. 130.114****Art. 130.043****Art. 130.178****Art. 130.132**

Art. bei Bestellung mit angegebenem Material ergänzen  
When ordering add indicated material

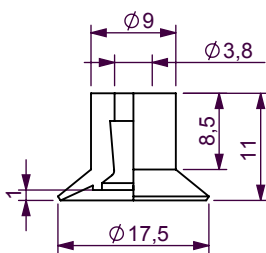
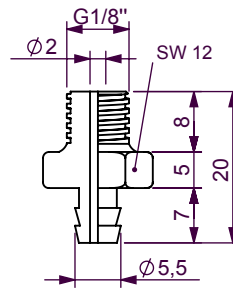
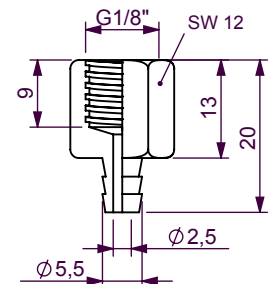
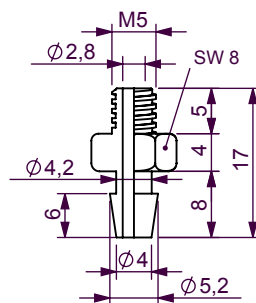
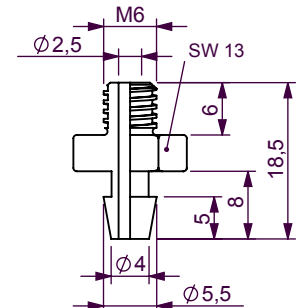
**Material** S(tr)



3.5 gr

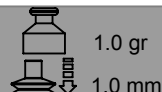
5.0 mm

Weitere Materialien auf Anfrage  
Further materials on request

**Art. 10.017.255\_****Art. 130.087****Art. 130.035****Art. 130.134****Art. 130.104**

Art. bei Bestellung mit angegebenem Material ergänzen  
When ordering add indicated material

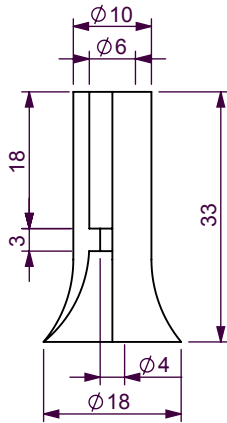
**Material** NR (sw)



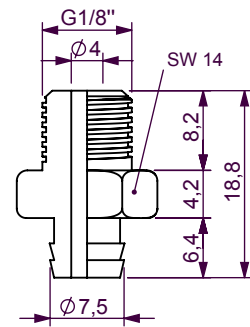
1.0 gr

1.0 mm

Weitere Materialien auf Anfrage  
Further materials on request



**Art. 10.018.088.\_**



**Art. 130.238**

Art. bei Bestellung mit angegebenem Material ergänzen  
 When ordering add indicated material

**Material** S(tr) 50 Shore

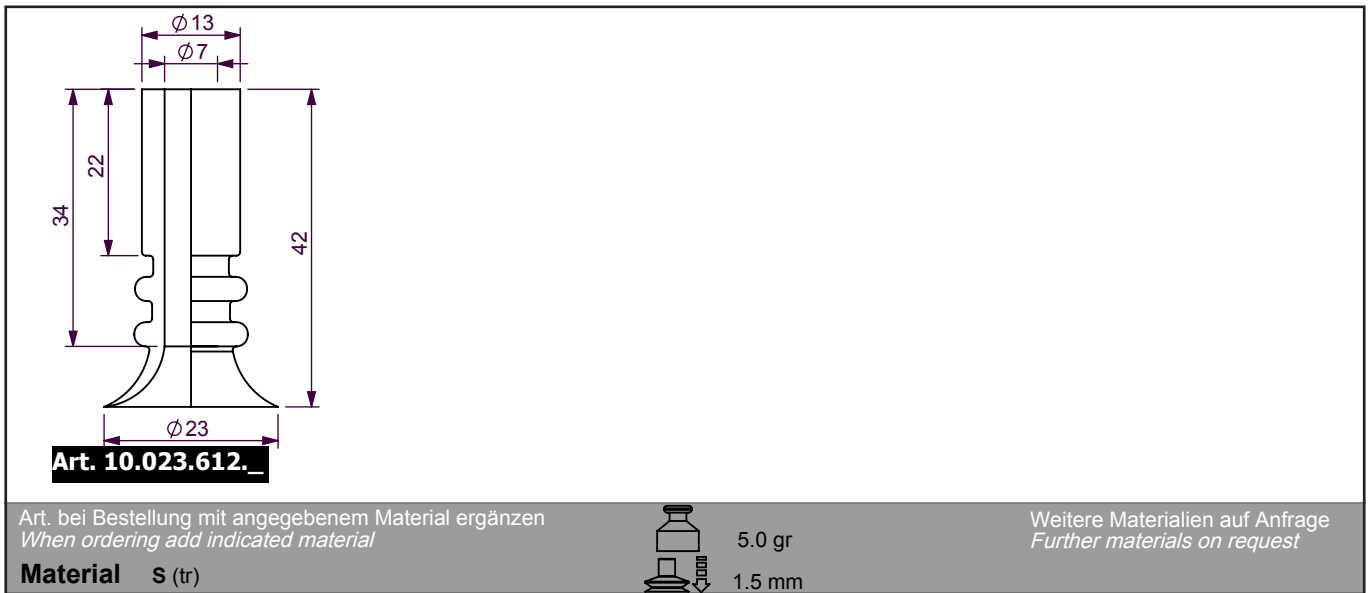


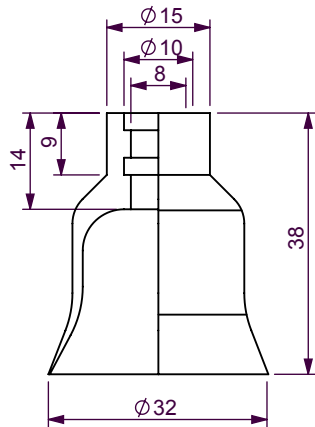
1.3 gr

0.0 mm

Weitere Materialien auf Anfrage  
 Further materials on request

Eine große Auswahl von Saugern für unzählige Anwendungen bei Confitserieprodukten  
*An abundance of vacuum cups for countless applications of confectionery products.*





**Art. 10.033.578.\_**

Art. bei Bestellung mit angegebenem Material ergänzen  
*When ordering add indicated material*

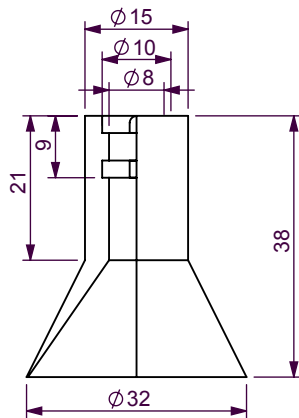
**Material** S (tr)



6.0 gr

6.0 mm

Weitere Materialien auf Anfrage  
*Further materials on request*



**Art. 10.033.579.\_**

Art. bei Bestellung mit angegebenem Material ergänzen  
*When ordering add indicated material*

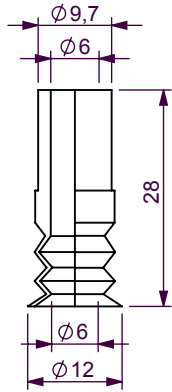
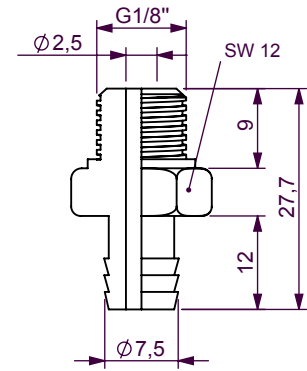
**Material** S (tr)



7.0 gr

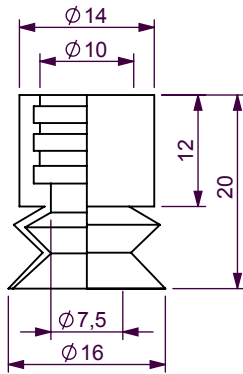
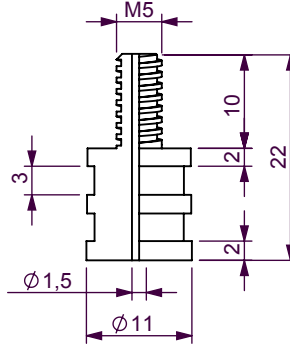
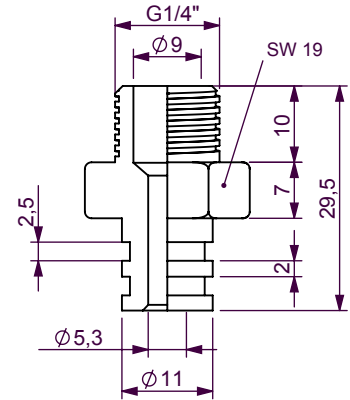
0.0 mm

Weitere Materialien auf Anfrage  
*Further materials on request*

**Art. 220.012.024\_****Art. 130.546**
 Art. bei Bestellung mit angegebenem Material ergänzen  
 When ordering add indicated material

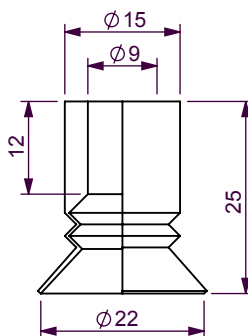
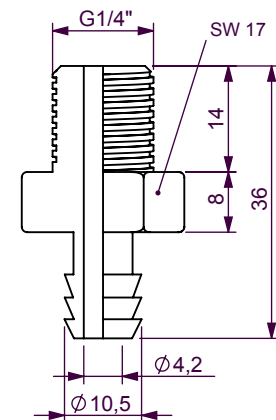
**Material** S (tr), S-soft (tr), NR-soft (bg)

 1.2 gr  
 6.0 mm

 Weitere Materialien auf Anfrage  
 Further materials on request
**Art. 210.016.063\_****Art. 130.244****Art. 130.193**
 Art. bei Bestellung mit angegebenem Material ergänzen  
 When ordering add indicated material

**Material** S (tr), S (r)

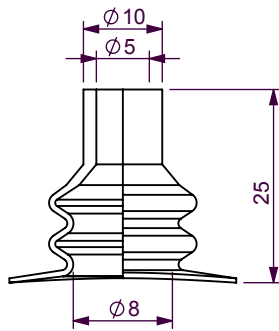
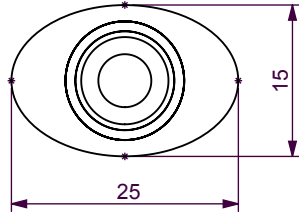
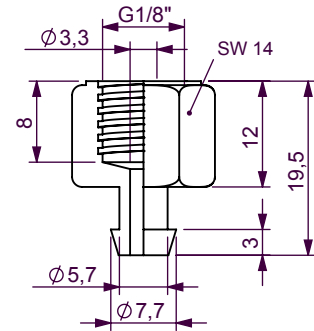
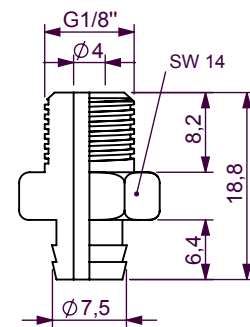
 1.6 gr  
 6.0 mm

 Weitere Materialien auf Anfrage  
 Further materials on request
**Art. 210.022.142\_****Art. 130.208**
 Art. bei Bestellung mit angegebenem Material ergänzen  
 When ordering add indicated material

**Material** S (tr), S-soft (tr), NR (sw)

 2.0 gr  
 8.0 mm

 Weitere Materialien auf Anfrage  
 Further materials on request


**Art. 40.025015.010.\_**

**Art. 130.109**

**Art. 130.238**

 Art. bei Bestellung mit angegebenem Material ergänzen  
 When ordering add indicated material

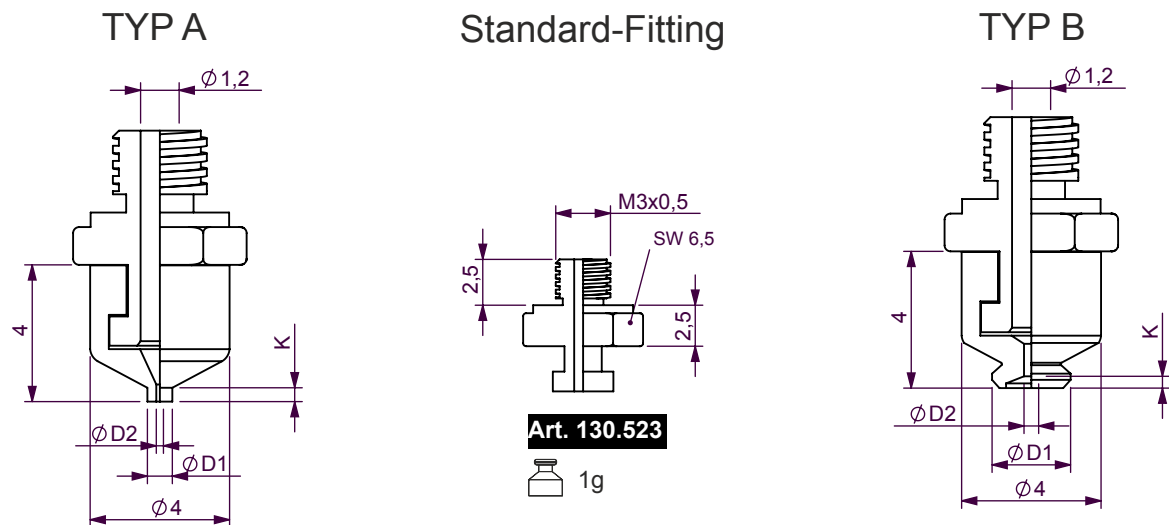
**Material** S-soft (tr)


2.7 gr

10.0 mm

 Weitere Materialien auf Anfrage  
 Further materials on request



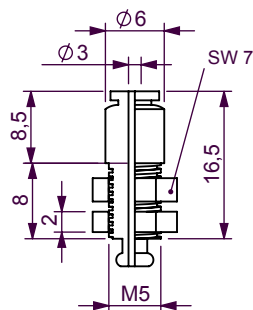


Art. 130.523

1g

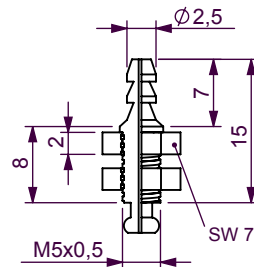
TYP	Art.	Ø D1	Ø D2	K		Material	Verpackungseinheit Packaging unit
A	10.001.631._	0.7	0.2	0.4	1g	NBR (schwarz)	10 Stück 10 pieces
A	10.001.632._	1	0.4	0.4	1g	Silikon (transparent)	
A	10.002.633._	1.5	0.7	0.4	1g	Silikon antistatisch (schwarz)	
B	10.002.634._	2	0.6	0.2	1g	Nitrile rubber (black)	
B	10.003.635._	3	0.8	0.4	1g	Silicone (transparent)	
B	10.004.636._	4	1.2	0.6	1g	Silicone antistatic (black)	

Abmessungen in mm / Dimensions in mm\*\* Material Fitting: Messing vernickelt / Brass nickel-plated



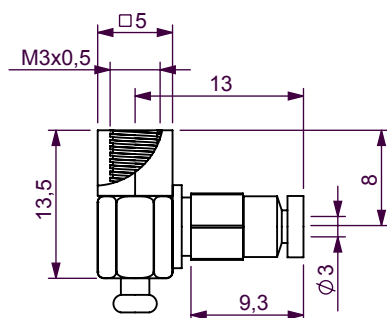
Art. 133.000 2g

Schlauch: Ø 3x2 UBT0320 Polyurethan  
 Hose: Ø 3x2 UBT0320 Polyurethane



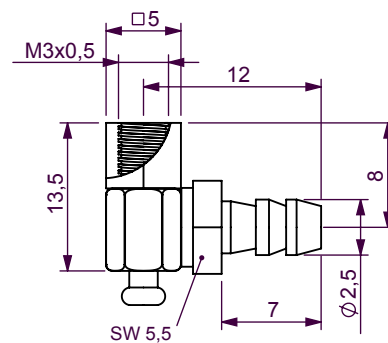
Art. 133.002 1,5g

Schlauch: Ø 4x2.5 UBT0425 Polyurethan  
 Hose: Ø 4x2.5 UBT0425 Polyurethane



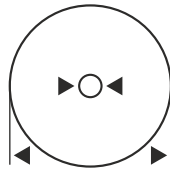
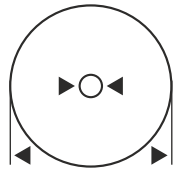
Art. 133.001 2g

Schlauch: Ø 3x2 UBT0320 Polyurethan  
 Hose: Ø 3x2 UBT0320 Polyurethane



Art. 133.003 1,5g

Schlauch: Ø 4x2.5 UBT0425 Polyurethan  
 Hose: Ø 4x2.5 UBT0425 Polyurethane



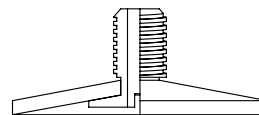
Art.	◀ Ø ▶ mm	▶ Ø ◀ mm	Art.	◀ Ø ▶ mm	▶ Ø ◀ mm
<b>D.13.001.*</b>	12,7	1,6	<b>D.32.025.*</b>	31,8	4,8
<b>D.16.003.*</b>	15,9	1,6	<b>D.32.026.*</b>	31,8	9,5
<b>D.16.007.*</b>	15,9	3,2	<b>D.32.027.*</b>	31,8	12,7
<b>D.17.002.*</b>	17,5	3,2	<b>D.32.028.*</b>	31,8	14,3
<b>D.19.004.*</b>	19,1	6,4	<b>D.32.046.*</b>	31,8	6,4
<b>D.19.005.*</b>	19,1	1,6	<b>D.32.047.*</b>	31,8	11,1
<b>D.19.011.*</b>	19,1	4,8	<b>D.35.029.*</b>	34,9	9,5
<b>D.21.006.*</b>	20,6	4,8	<b>D.35.031.*</b>	34,9	14,3
<b>D.22.008.*</b>	22,2	4,8	<b>D.38.032.*</b>	38,1	9,5
<b>D.22.012.*</b>	22,2	6,4	<b>D.38.033.*</b>	38,1	12,7
<b>D.24.010.*</b>	23,8	9,5	<b>D.38.034.*</b>	38,1	14,3
<b>D.25.013.*</b>	25,4	4,8	<b>D.38.035.*</b>	38,1	15,9
<b>D.25.014.*</b>	25,4	6,4	<b>D.38.045.*</b>	38,1	11,1
<b>D.25.015.*</b>	25,4	9,5	<b>D.41.036.*</b>	41,3	9,5
<b>D.27.016.*</b>	27,0	3,2	<b>D.41.037.*</b>	41,3	12,7
<b>D.27.018.*</b>	27,0	9,5	<b>D.41.038.*</b>	41,3	14,3
<b>D.29.019.*</b>	28,6	6,4	<b>D.41.039.*</b>	41,3	15,9
<b>D.29.020.*</b>	28,6	12,7	<b>D.44.040.*</b>	44,5	7,9
<b>D.29.021.*</b>	28,6	14,3	<b>D.44.041.*</b>	44,5	12,7
<b>D.30.022.*</b>	30,2	9,5	<b>D.44.042.*</b>	44,5	14,3
<b>D.30.023.*</b>	30,2	12,7	<b>D.44.043.*</b>	44,5	15,9
<b>D.30.024.*</b>	30,2	14,3	<b>D.50.044.*</b>	50,8	12,7

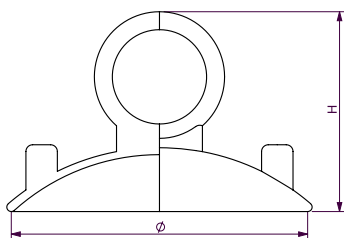
Verpackungseinheit 100 Stück / Packing unit 100 pc

Material Material	Dicke Thickness mm	Farbe Color	Endziffer Last Digit *
NR	0,5	weiß white	<b>1</b>
NR	0,8	rosa pink	<b>2</b>
NR	1,0	beige beige	<b>3</b>
NR	1,6	weiß white	<b>4</b>
NR	2,0	grün green	<b>5</b>
PU	0,8	transparent	<b>6</b>

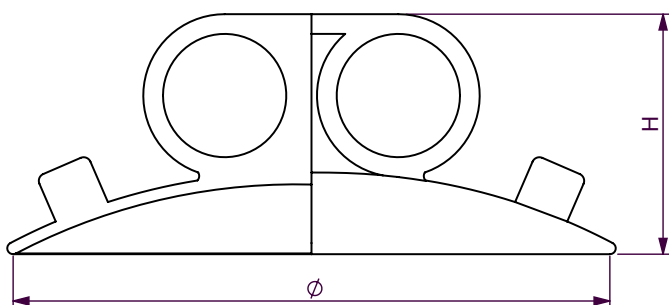
Weitere Größen und Materialien  
auf Anfrage  
Other dimensions and materials  
on request

◀ ▶ Dicke / Thickness





Art.	Ø mm	H mm	Material	Gewicht Weight	Abreisskraft Lifting force
<b>HG.054.V</b>	54	41	Vinyl	18 g	15 kg
<b>HG.066.V</b>	66	45	Vinyl	23 g	20 kg



Art.	Ø mm	H mm	Material	Gewicht Weight	Abreisskraft Lifting force
<b>HG.082.V</b>	82	41	Vinyl	35 g	22 kg
<b>HG.121.V</b>	121	61	Vinyl	132 g	28 kg
<b>HG.115.01</b>	115	64	NBR	120 g	25 kg
<b>HG.115.03</b>	115	64	NR	120 g	25 kg

### Einsatzbereiche

- Glas
- Holz
- Kunststoff
- Blech
- Keramik

### Vorteile

- Keine Vakuumquelle erforderlich
- Starke Haltekraft
- Einfache Handhabung
- Mit Entriegelungsöse
- 5 Größen lieferbar

### Operating ranges

- Glass
- Wood
- Plastics
- Metal sheet
- Ceramic

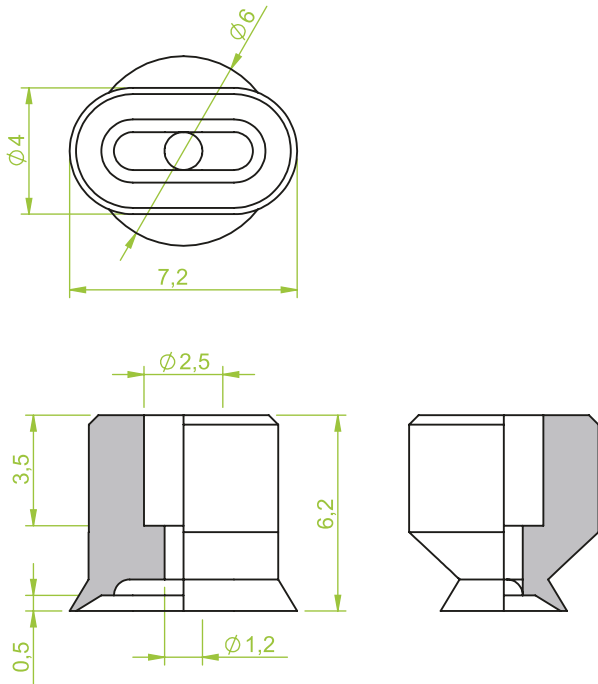
### Advantages

- No vacuum pump required
- Strong holding capacity
- Easy to use
- With release button
- Available in 5 different sizes

Rechteck- & Ovalsauger | Rectangular & Ovale vacuum cups

Art.: 30.007004.005\_

Gewicht | Weight: 0.1 gr  
 Hub | Stroke: 0.8 mm

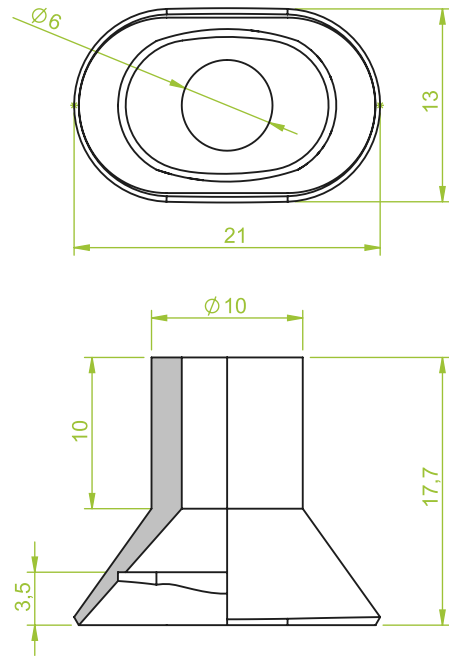


7 x 4 mm

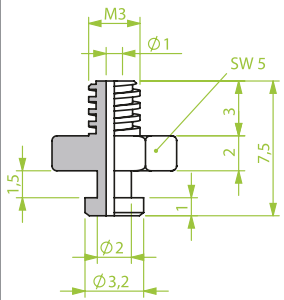
21 x 13 mm

Art.: 30.021013.072\_

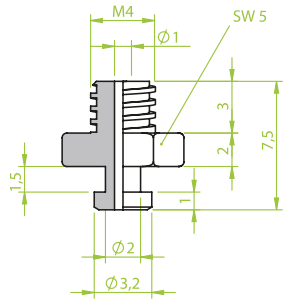
Gewicht | Weight: 0.9 gr  
 Hub | Stroke: 5.0 mm



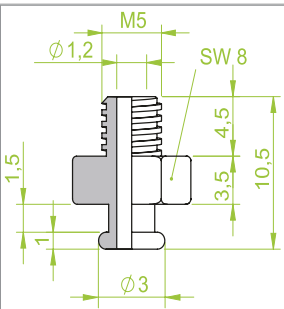
Art.: 130.014 M 3 AG



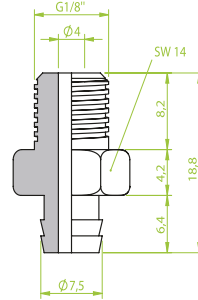
Art.: 130.111 M 4 AG



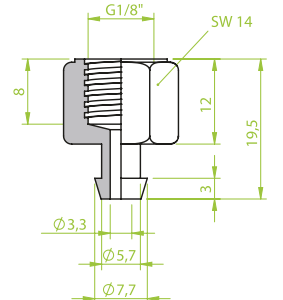
Art.: 130.300 M 5 AG



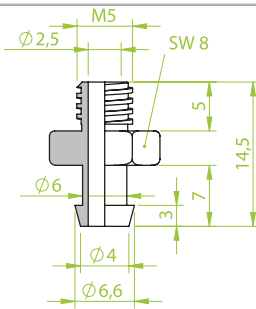
Art.: 130.238



Art.: 130.109



Art.: 130.317



Rechteck- & Ovalsauger | Rectangular & Ovale vacuum cups

30 x 10 mm

36 x 12 mm

Art.: 30.030010.020\_

Gewicht | Weight: 1.4 gr  
Hub | Stroke: 2.0 mm

Art.: 30.036012.021\_

Gewicht | Weight: 2.0 gr  
Hub | Stroke: 1.8 mm

Art.: 130.005 M 5 IG

Art.: 130.037 M 5 AG

Art.: 130.005 M 5 IG

Art.: 130.094 M 5 AG

Art.: 130.094 M 5 AG

Art.: 130.095 G 1/8" AG

Art.: 130.095 G 1/8" AG

Art.: 130.096 G 1/8" IG

Art.: 130.096 G 1/8" IG

Art.: 130.103 M 6 AG

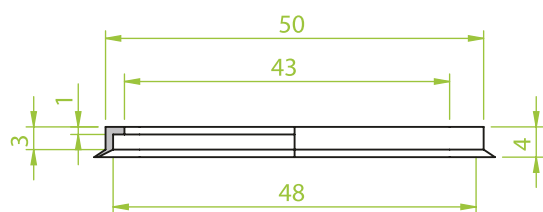
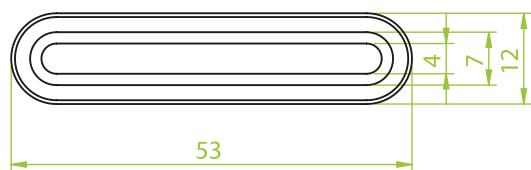
Art.: 130.103 M 6 AG

## Rechteck- &amp; Ovalsauger | Rectangular &amp; Ovale vacuum cups

Art.: 30.053012.071\_

Gewicht | Weight: 0.7 gr

Hub | Stroke: 1.5 mm



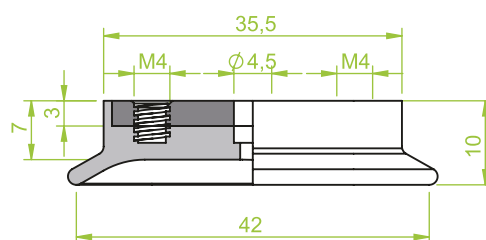
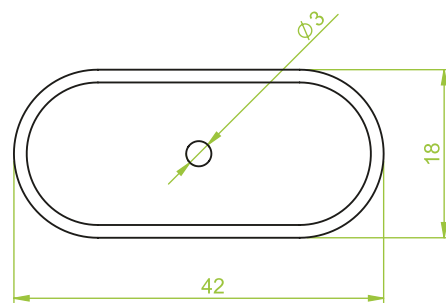
53 x 12 mm

42 x 18 mm

Art.: 33.042018.033\_

Gewicht | Weight: 5.0 gr

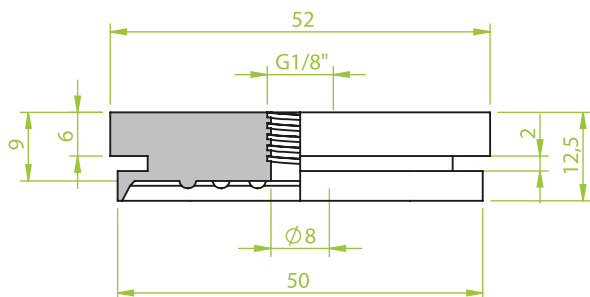
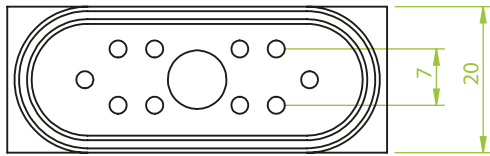
Hub | Stroke: 3.0 mm



## Rechteck- &amp; Ovalsauger | Rectangular &amp; Ovale vacuum cups

Art: 33.050020.005\_

Gewicht | Weight: 18.0 gr  
 Hub | Stroke: 3.0 mm

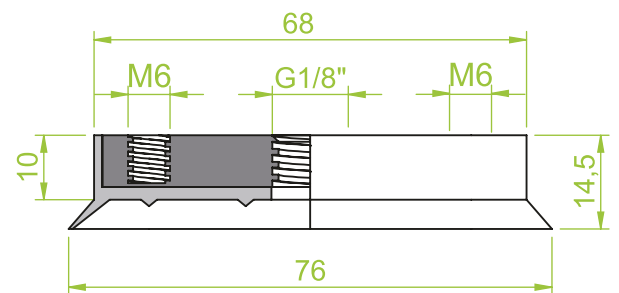
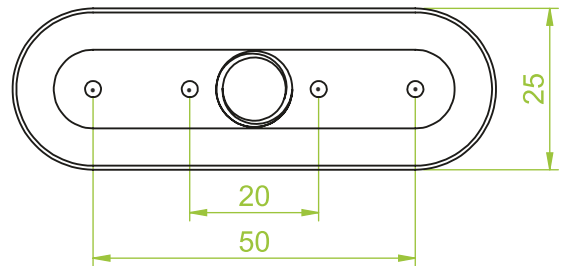


50 x 20 mm

75 x 25 mm

Art: 33.075025.022\_

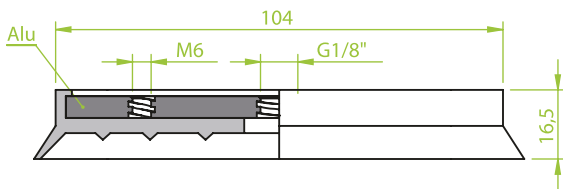
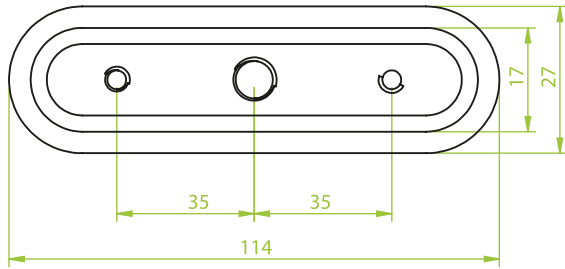
Gewicht | Weight: 23.0 gr  
 Hub | Stroke: 5.0 mm



Art.: 33.116027.024\_

Gewicht | Weight: 38.5 gr

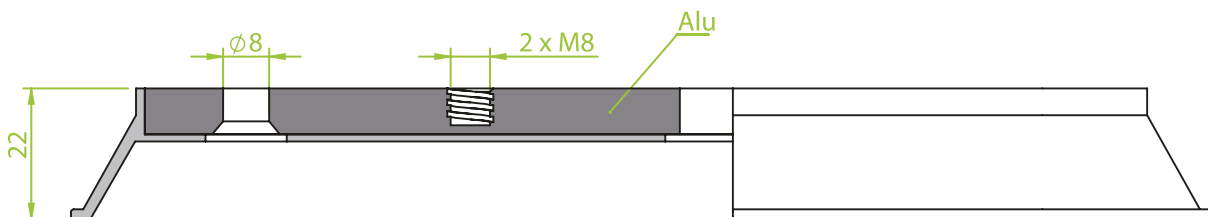
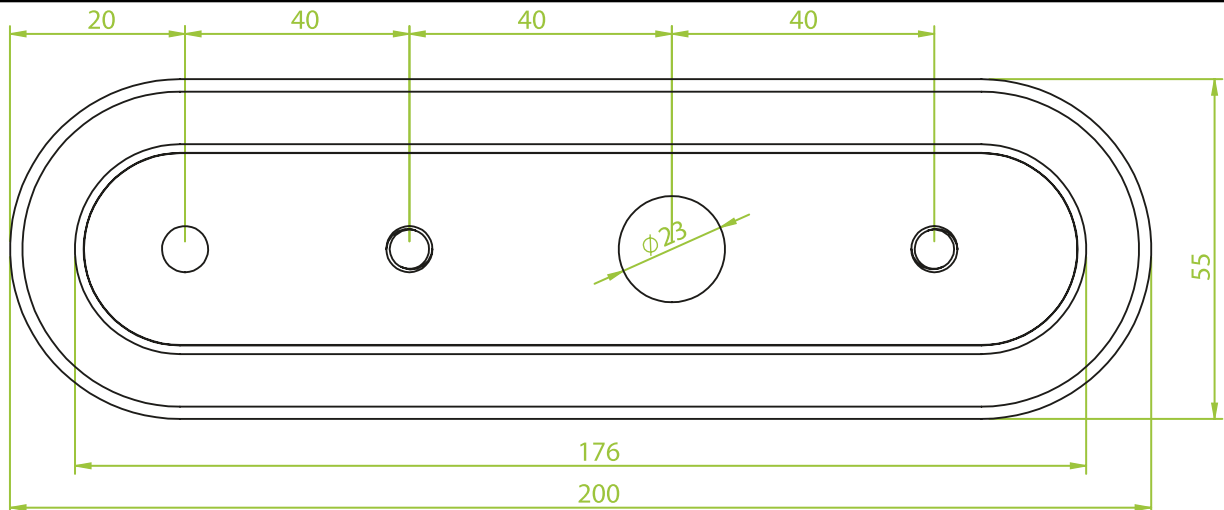
Hub | Stroke: 5.0 mm



Art.: 33.200055.027\_

Gewicht | Weight: 145.0 gr

Hub | Stroke: 5.6 mm





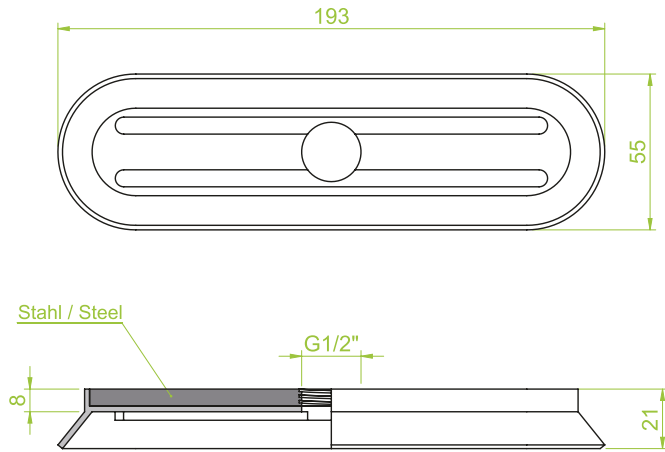
**Rechteck- & Ovalsauger | Rectangular & Ovale vacuum cups**

200 x 55 mm

280 x 100 mm

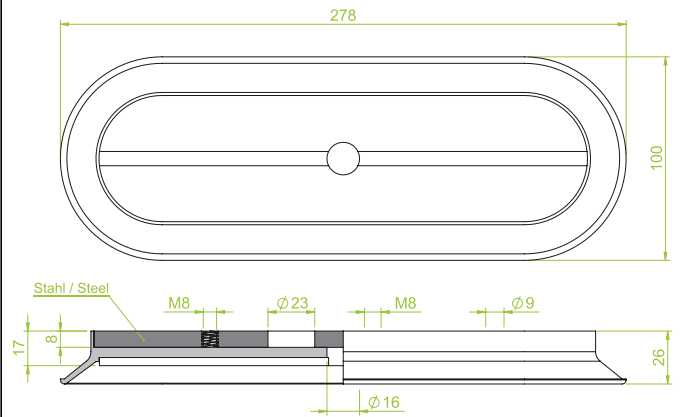
Art.: 33.200055.039\_

Gewicht | Weight: 151.1 gr  
 Hub | Stroke: 5.0 mm



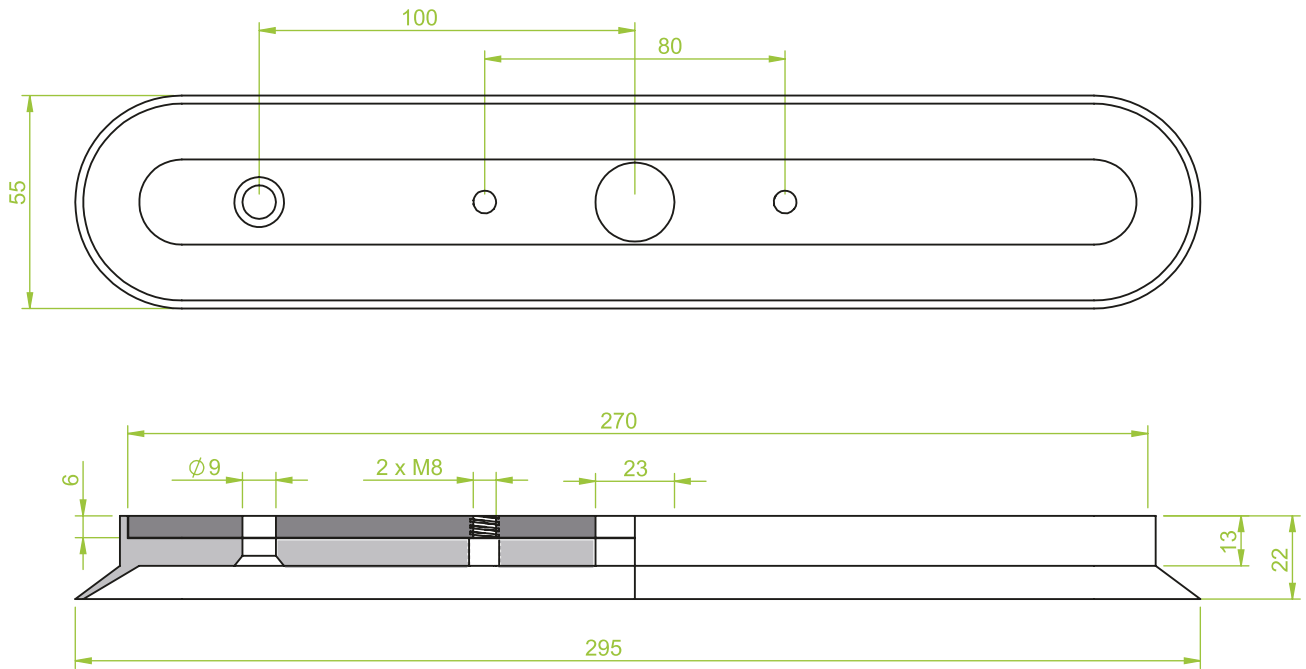
Art.: 33.280100.043\_

Gewicht | Weight: 511.8 gr  
 Hub | Stroke: 6.6 mm



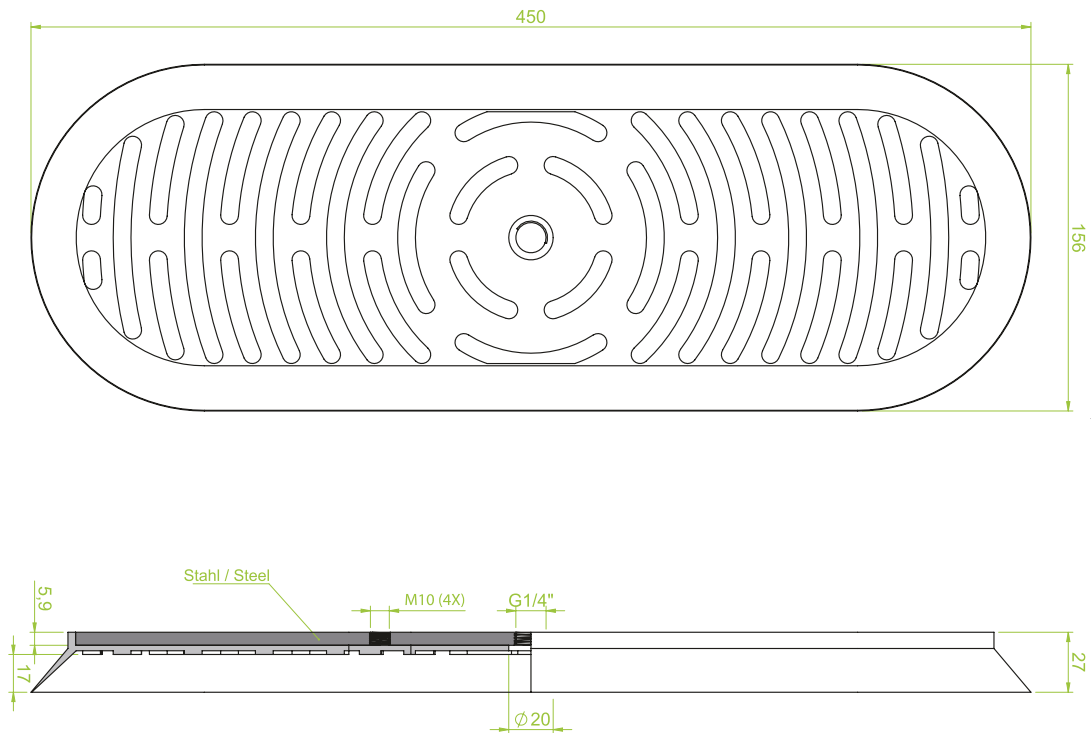
Art.: 33.300055.029\_

Gewicht | Weight: 213.7 gr  
 Hub | Stroke: 6.8 mm



Art.: 33.450156.035\_

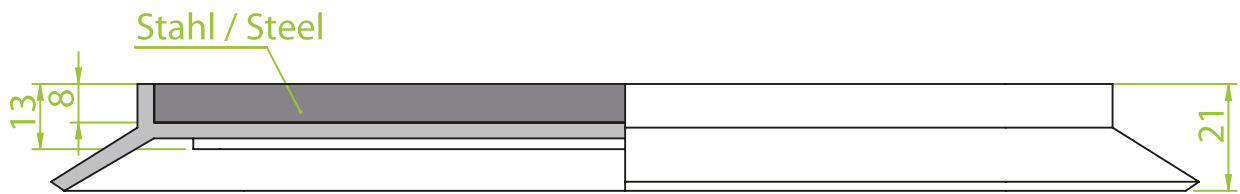
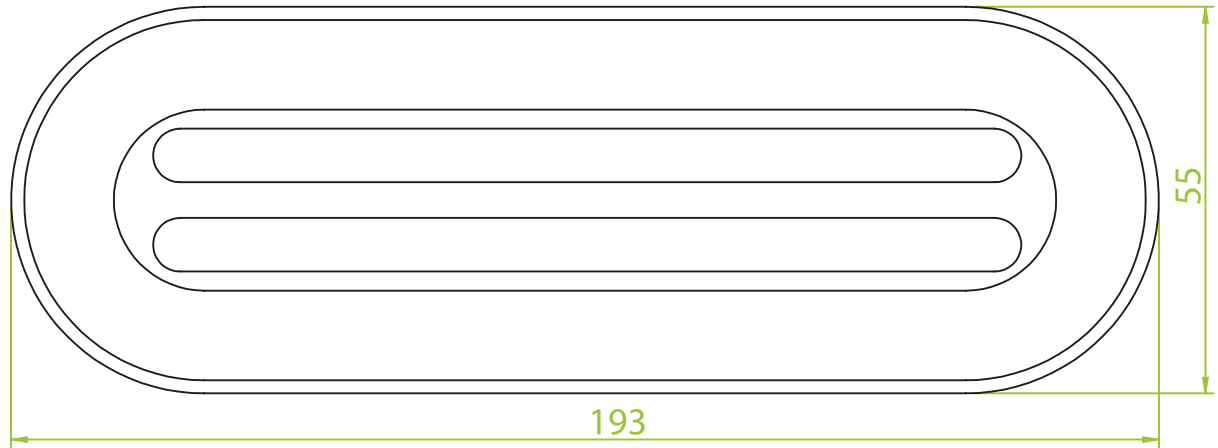
Gewicht | Weight: 3830.0 gr  
 Hub | Stroke: 4.0 mm



Art.: 35.200055.027.\_

Gewicht | Weight: 161.2 gr

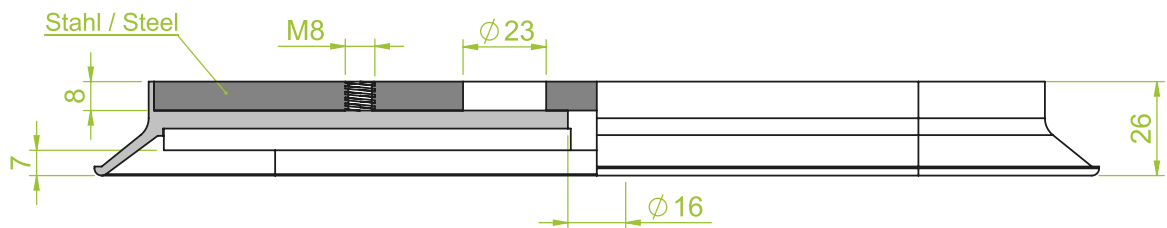
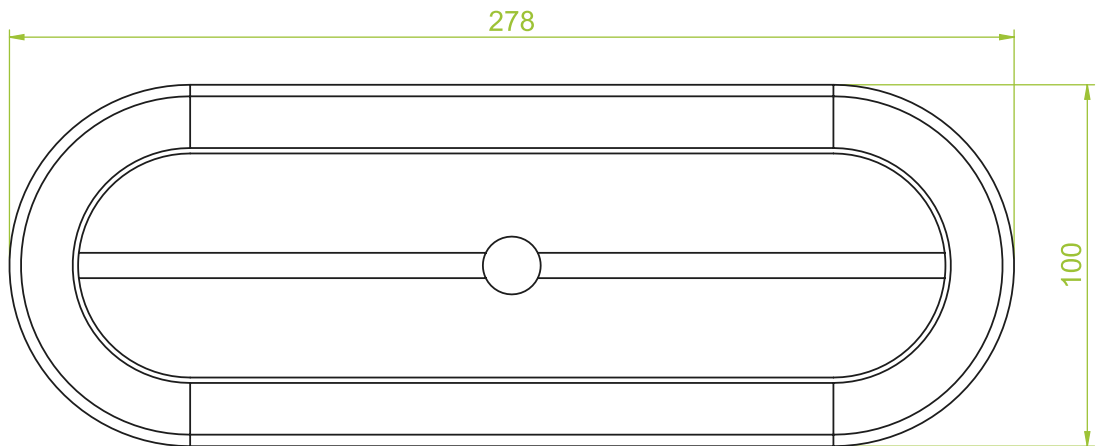
Hub | Stroke: 6.7 mm



Art.: 35.280100.033.\_

Gewicht | Weight: 508.8 gr

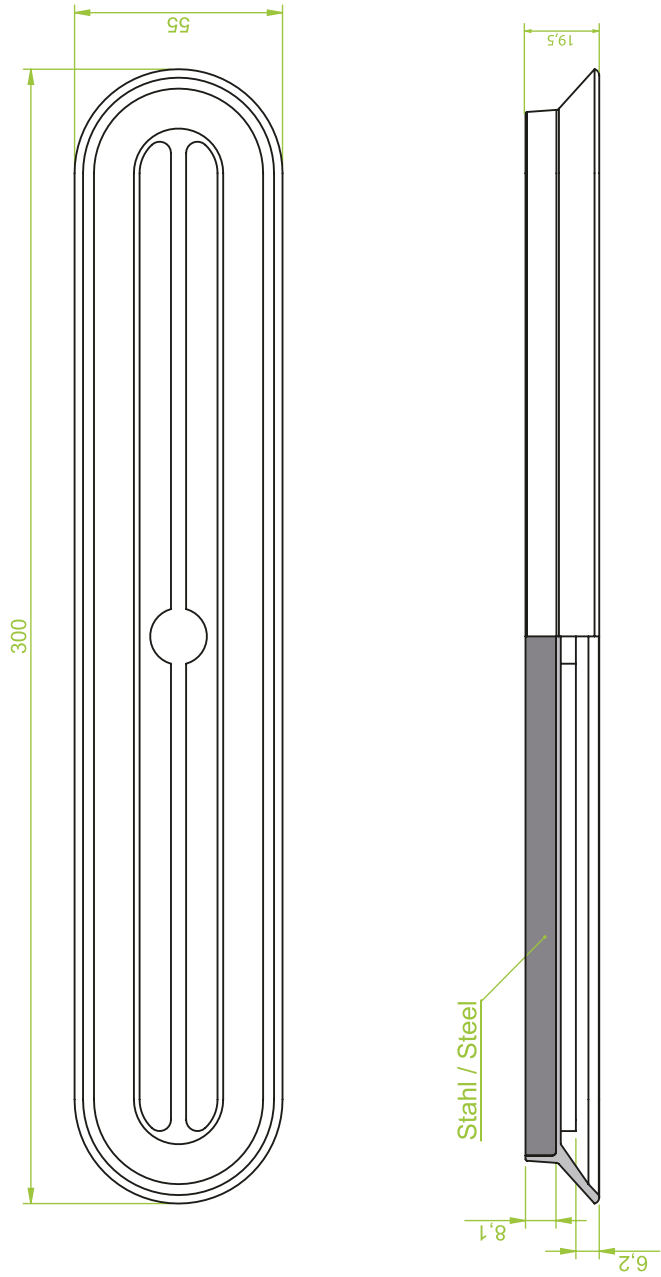
Hub | Stroke: 6.5 mm



Rechteck- & Ovalsauger | Rectangular & Ovale vacuum cups

Art.: 35.300055.006\_

Gewicht | Weight: 493.0 gr  
 Hub | Stroke: 8.8 mm

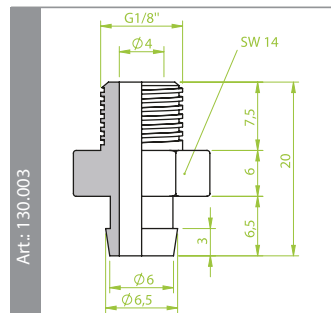
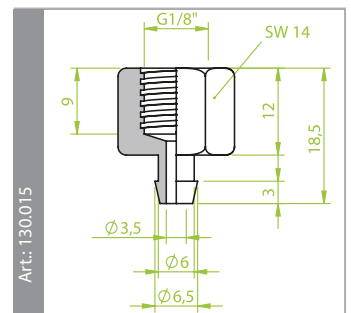
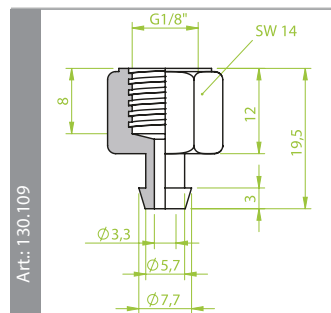
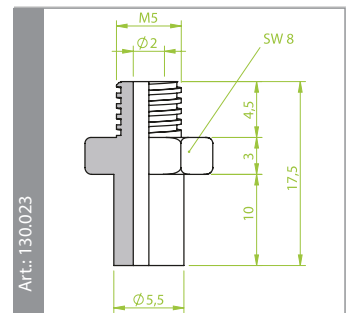
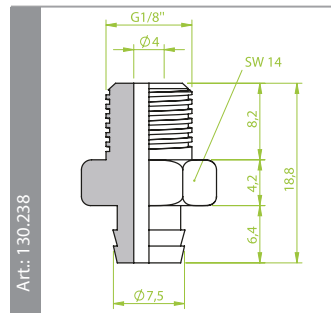
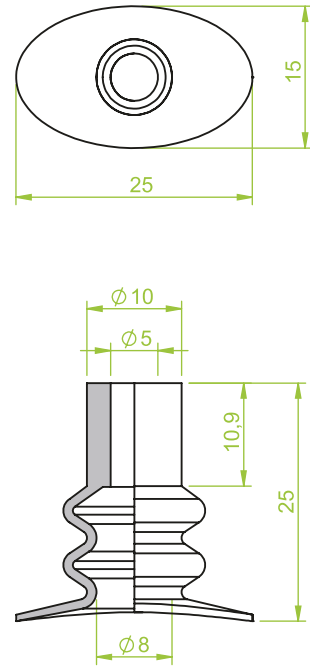


300 x 55 mm

25 x 15 mm

Art.: 40.025015.010\_

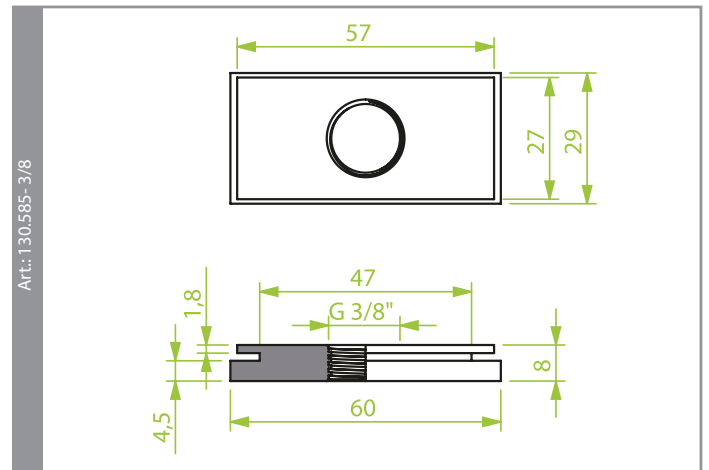
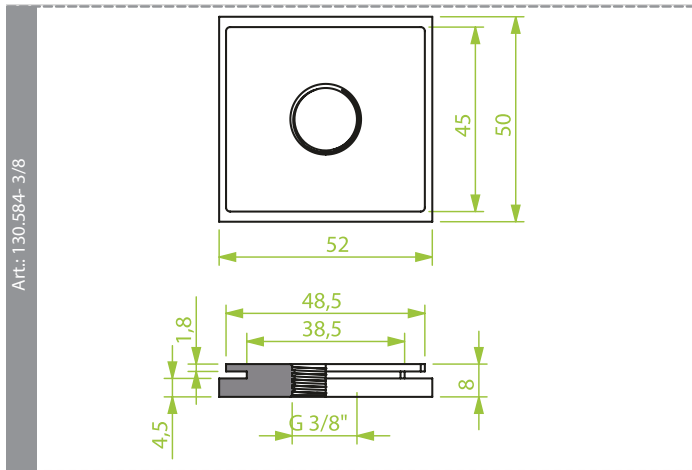
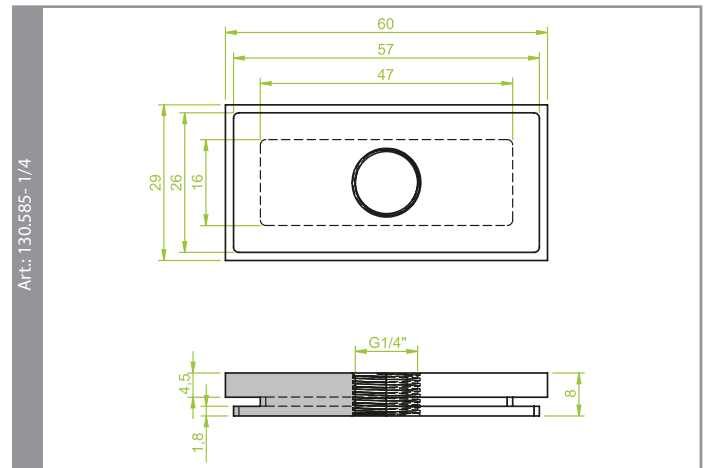
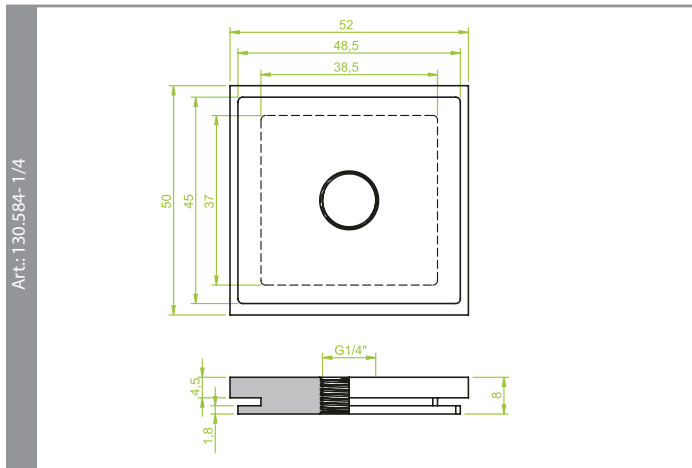
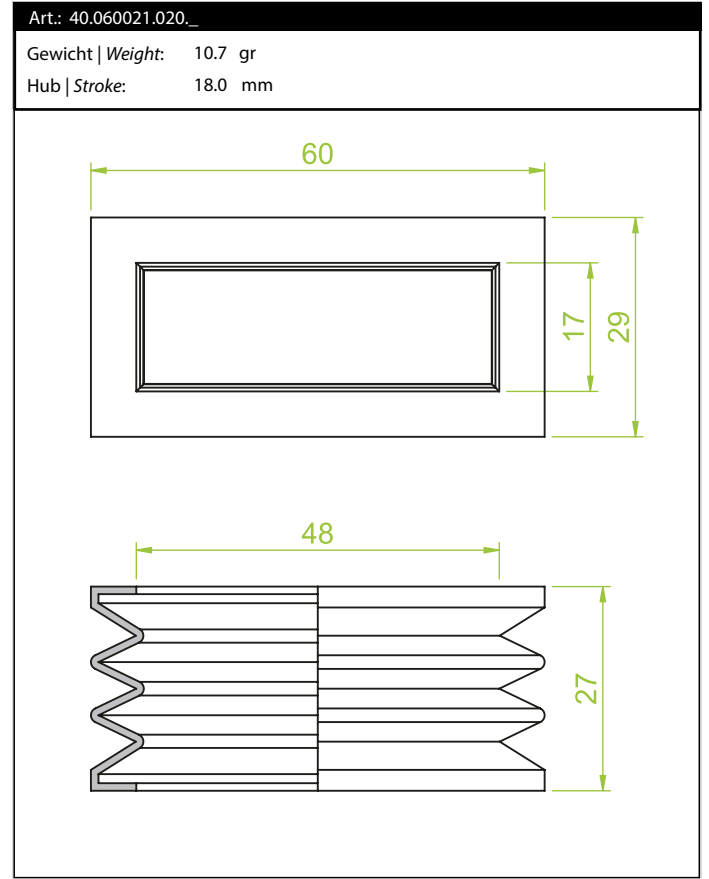
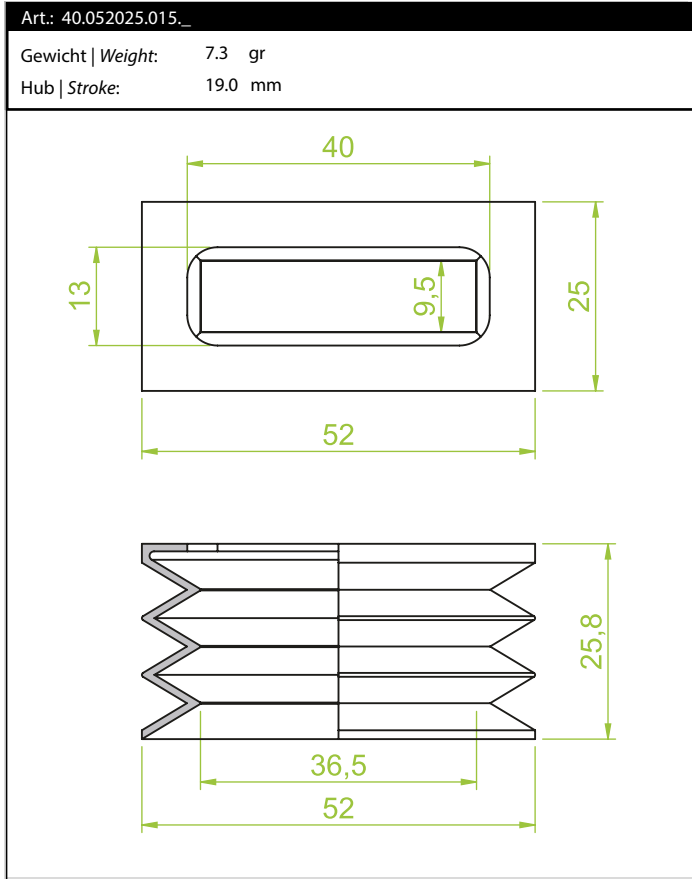
Gewicht | Weight: 2.7 gr  
 Hub | Stroke: 1.0 mm



Rechteck- & Ovalsauger | Rectangular & Ovale vacuum cups

52 x 25 mm

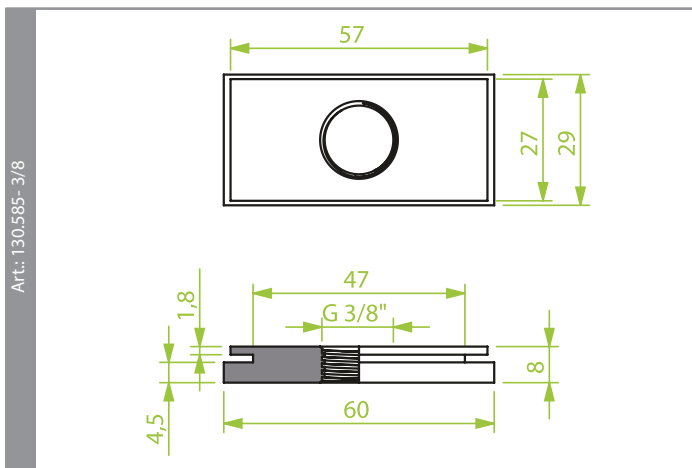
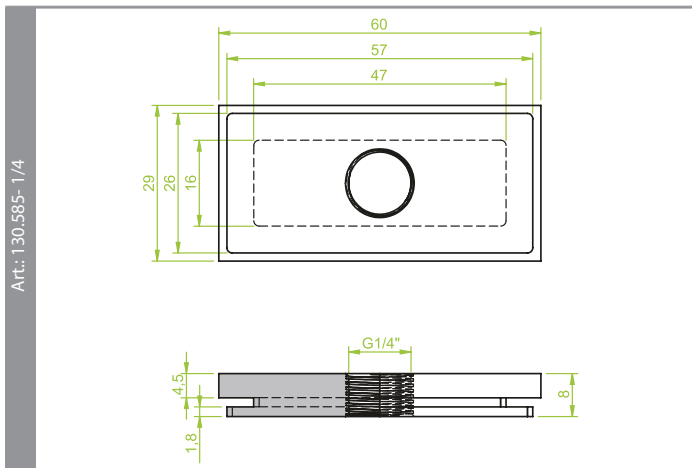
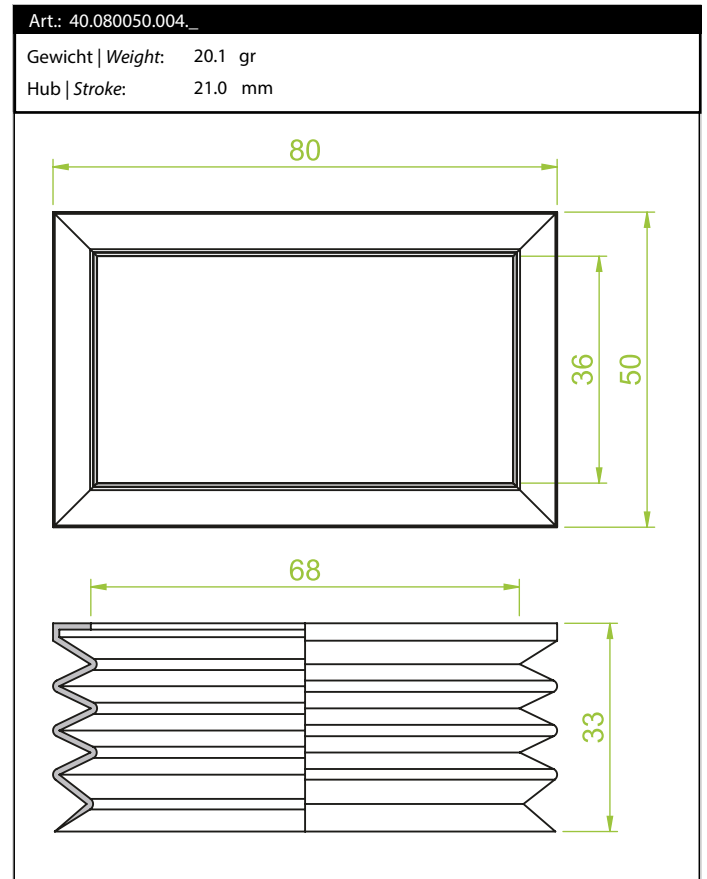
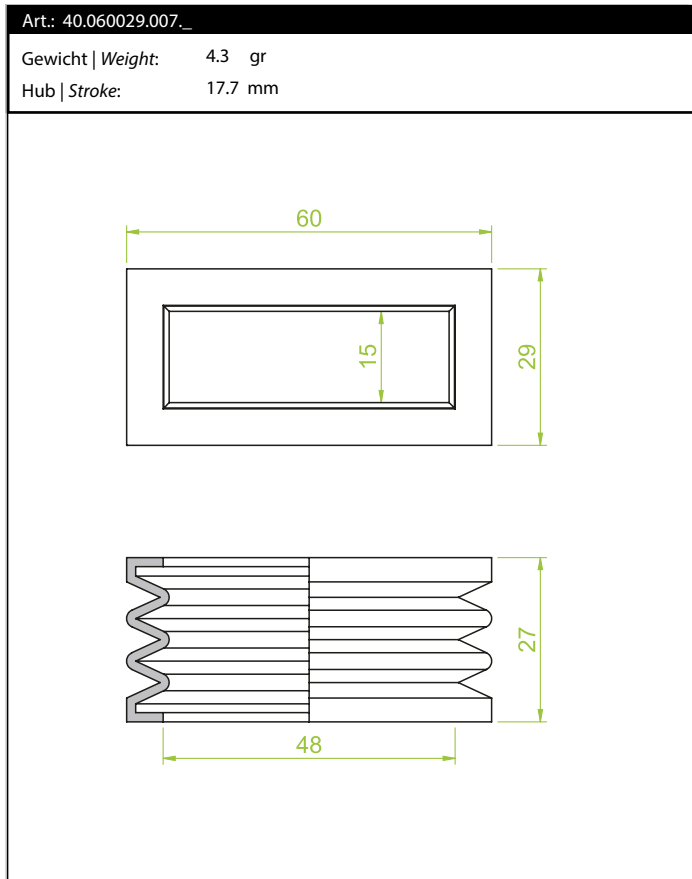
60 x 21 mm



**Rechteck- & Ovalsauger | Rectangular & Ovale vacuum cups**

60 x 29 mm

80 x 50 mm

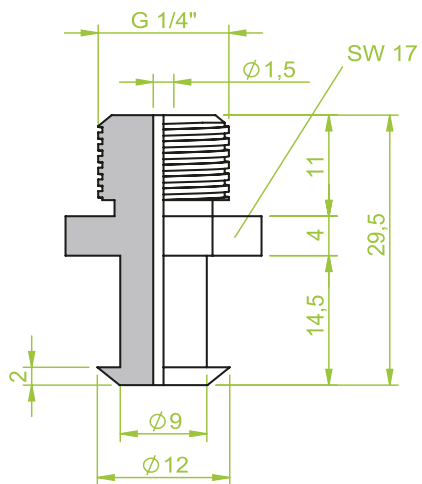


## Anschlusssteile | Fittings

AG = Außengewinde / Male thread  
IG = Innengewinde / Female thread

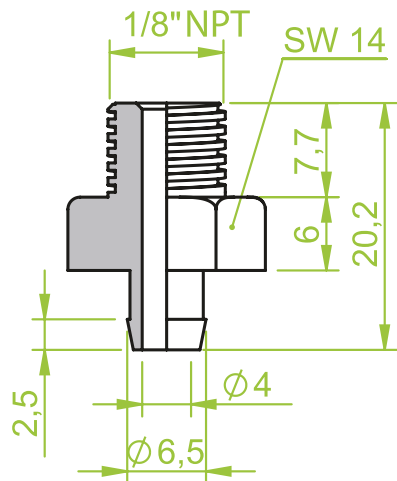
Art.: 130.002

AG 1/4"



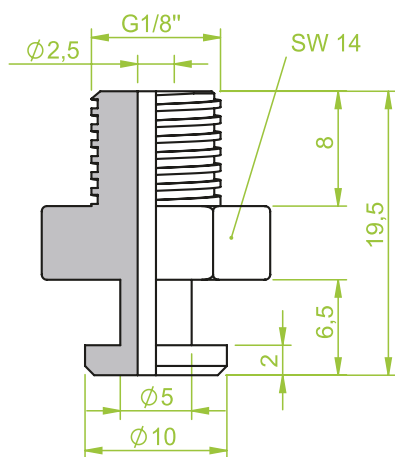
Art.: 130.003NPT

AG 1/8"



Art.: 130.006

AG 1/8"

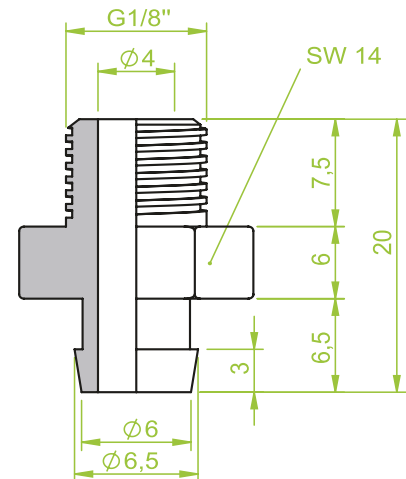


## Anschlusssteile | Fittings

AG = Außengewinde / Male thread  
IG = Innengewinde / Female thread

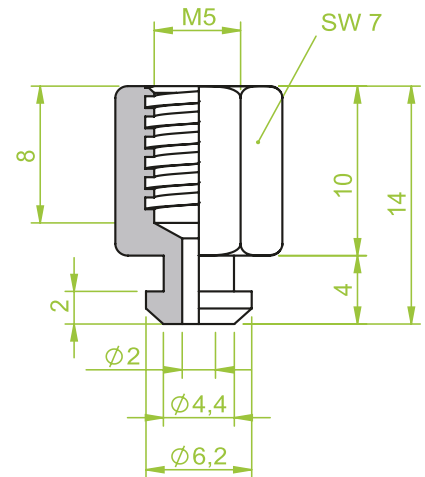
Art.: 130.003

AG 1/8"



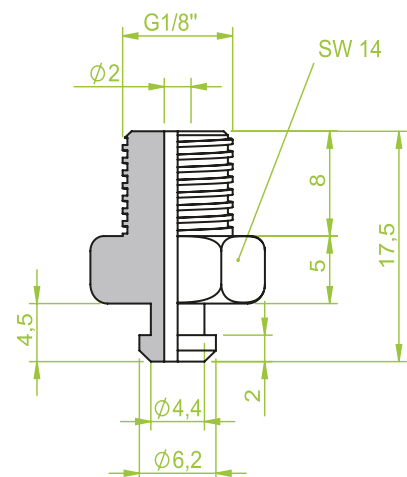
Art.: 130.005

IG M5



Art.: 130.009

AG 1/8"

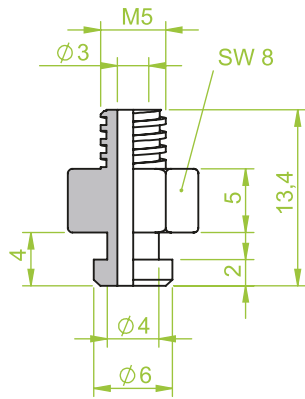


## Anschlusssteile | Fittings

AG = Außengewinde / Male thread  
IG = Innengewinde / Female thread

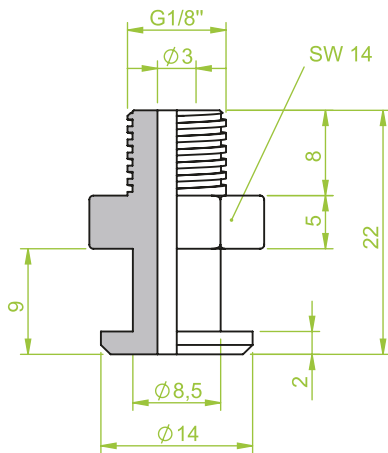
Art.: 130.010|

AG M5, Alu



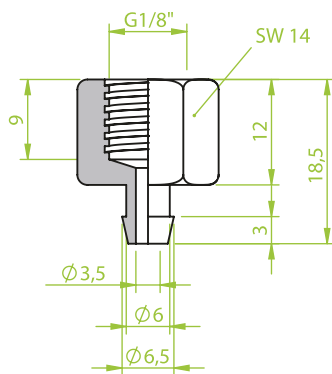
Art.: 130.012

AG 1/8"



Art.: 130.015

IG 1/8"

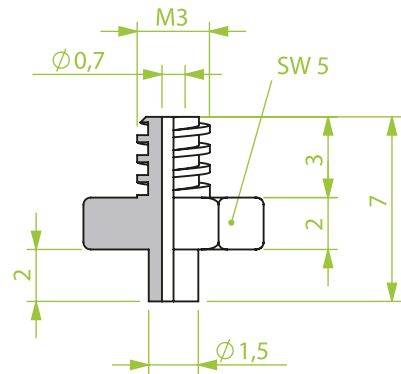


## Anschlusssteile | Fittings

AG = Außengewinde / Male thread  
IG = Innengewinde / Female thread

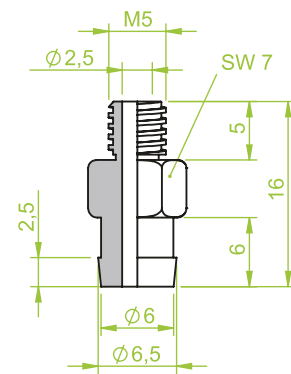
Art.: 130.011

AG M3



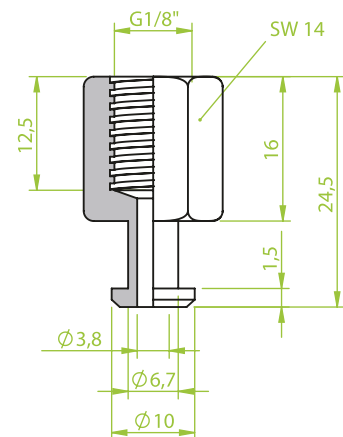
Art.: 130.013

AG M5



Art.: 130.019

IG 1/8"



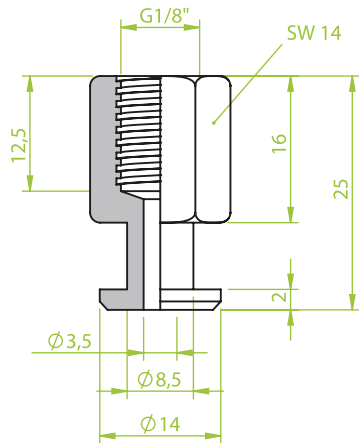


## Anschlusssteile | Fittings

AG = Außengewinde / Male thread  
IG = Innengewinde / Female thread

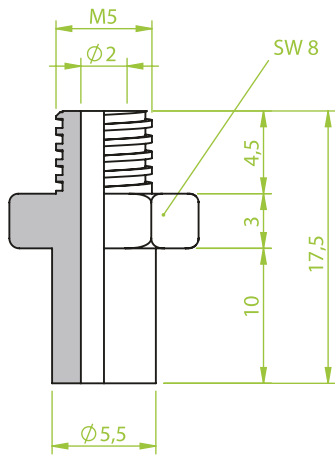
Art.: 130.020

IG 1/8"



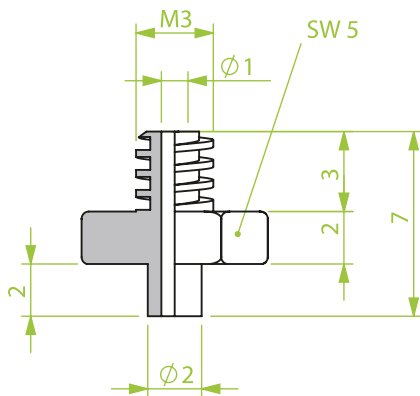
Art.: 130.023

AG M5



Art.: 130.025

AG M3

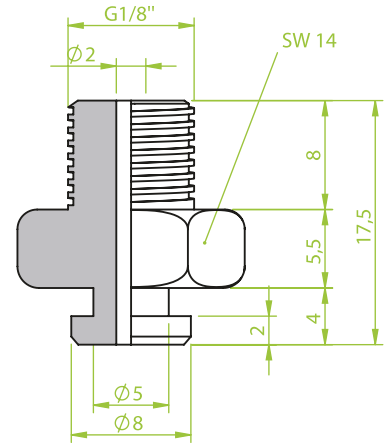


## Anschlusssteile | Fittings

AG = Außengewinde / Male thread  
IG = Innengewinde / Female thread

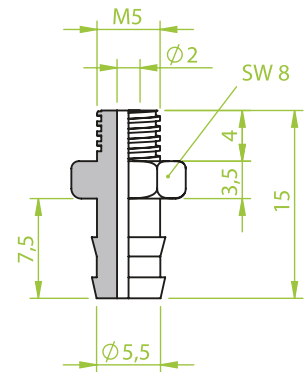
Art.: 130.021

AG 1/8"



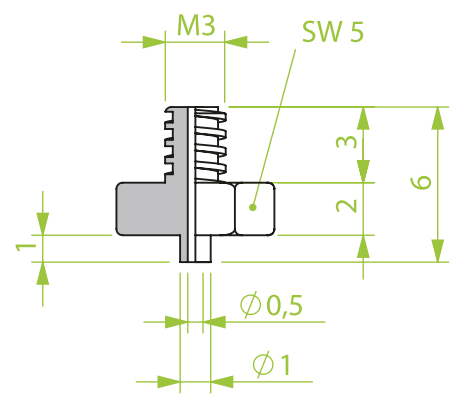
Art.: 130.024

AG M5



Art.: 130.026

M3

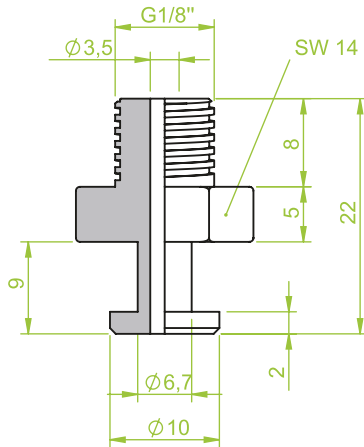


## Anschlusssteile | Fittings

AG = Außengewinde / Male thread  
IG = Innengewinde / Female thread

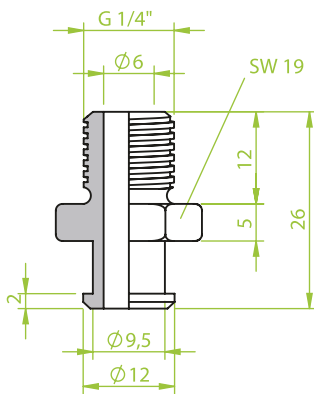
Art.: 130.030

AG 1/8"



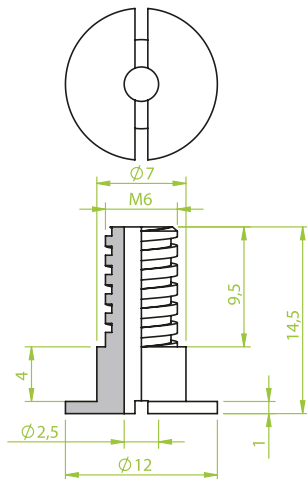
Art.: 130.034

AG 1/4"



Art.: 130.039

AG M 6

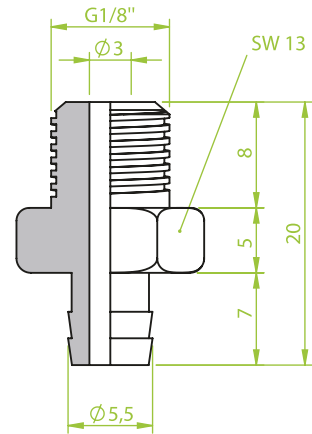


## Anschlusssteile | Fittings

AG = Außengewinde / Male thread  
IG = Innengewinde / Female thread

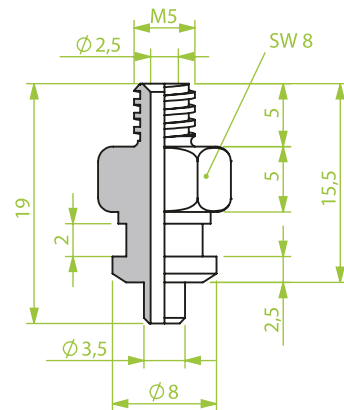
Art.: 130.033

AG 1/8"



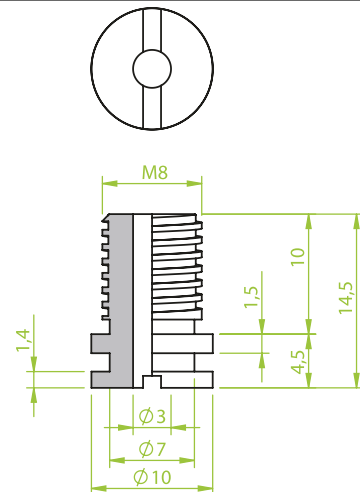
Art.: 130.037

AG M 5



Art.: 130.040

AG M 8

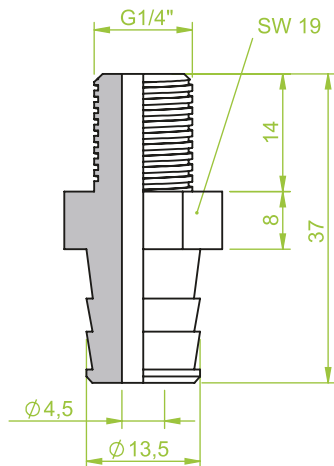


## Anschlusssteile | Fittings

AG = Außengewinde / Male thread  
IG = Innengewinde / Female thread

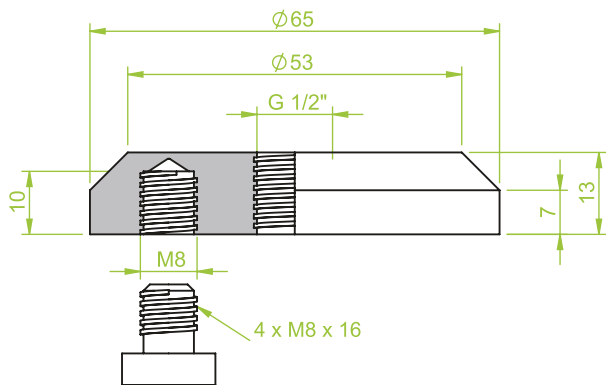
Art.: 130.049

AG 1/4"



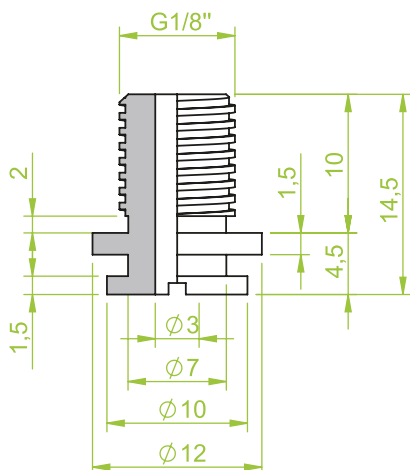
Art.: 130.056

IG 1/2"



Art.: 130.077

AG 1/8"

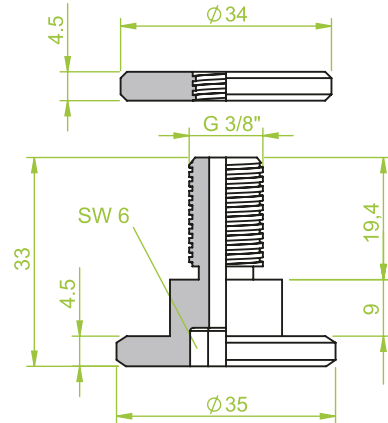


## Anschlusssteile | Fittings

AG = Außengewinde / Male thread  
IG = Innengewinde / Female thread

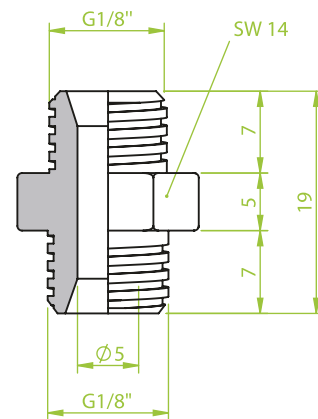
Art.: 130.054

G 3/8"



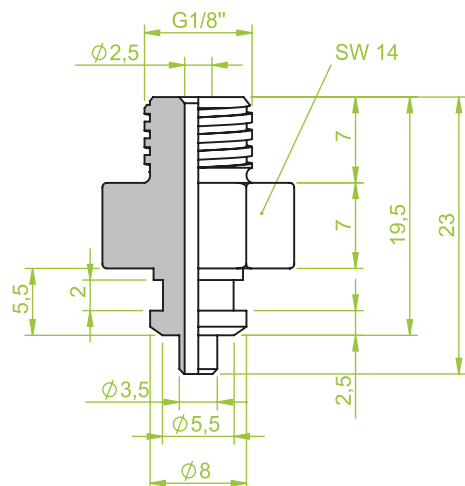
Art.: 130.059

AG 2 x 1/8"



Art.: 130.085

AG 1/8"

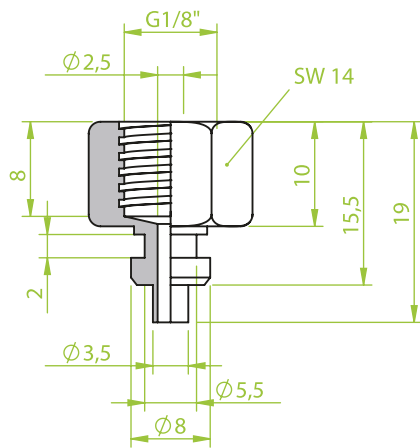


## Anschlusssteile | Fittings

AG = Außengewinde / Male thread  
IG = Innengewinde / Female thread

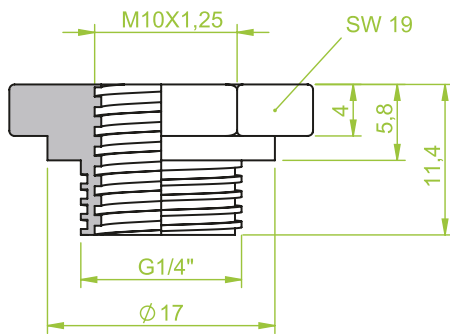
Art.: 130.086

IG 1/8"



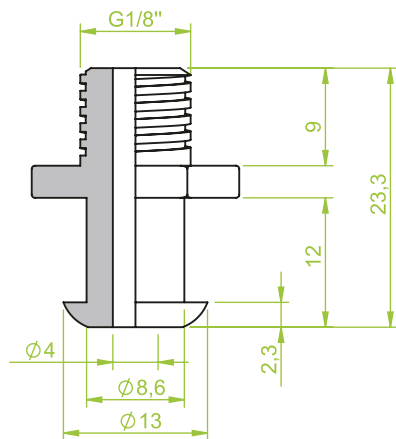
Art.: 130.090

AG 1/4"



Art.: 130.093

AG 1/8"

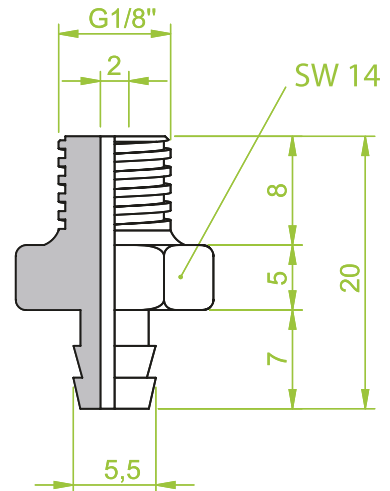


## Anschlusssteile | Fittings

AG = Außengewinde / Male thread  
IG = Innengewinde / Female thread

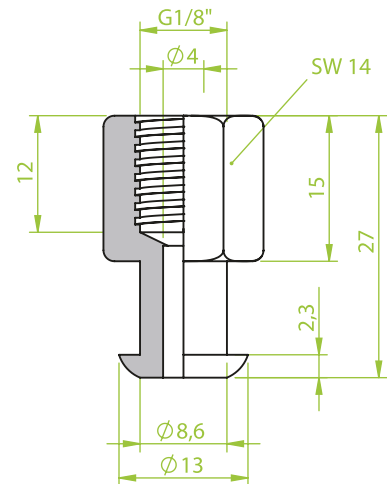
Art.: 130.087

AG 1/8"



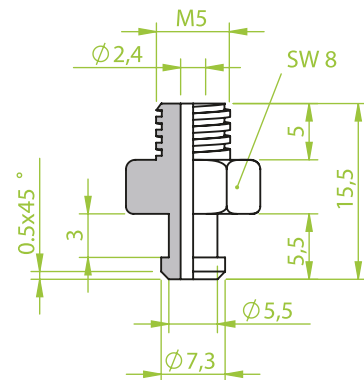
Art.: 130.092

IG 1/8"



Art.: 130.094

AG M5

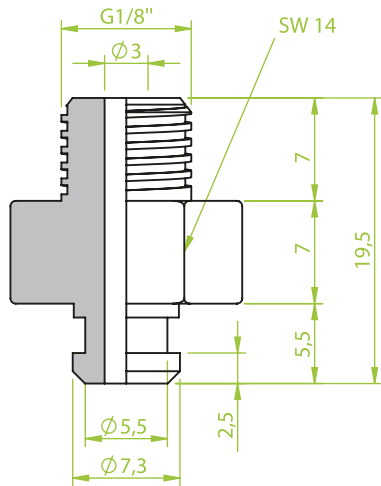


## Anschlusssteile | Fittings

AG = Außengewinde / Male thread  
IG = Innengewinde / Female thread

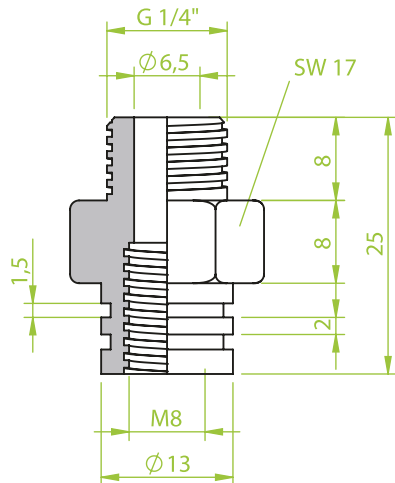
Art.: 130.095

AG 1/8"



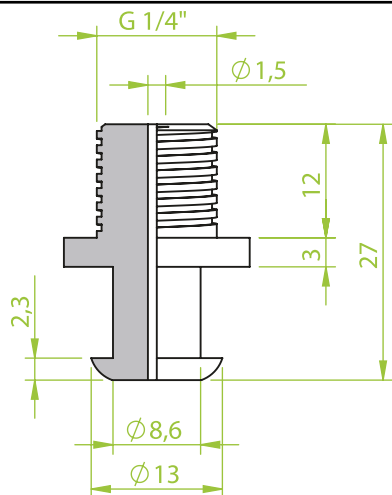
Art.: 130.097

AG 1/4"



Art.: 130.099

AG 1/4"

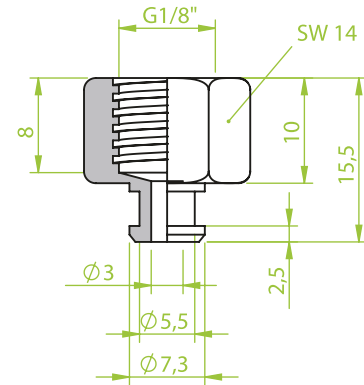


## Anschlusssteile | Fittings

AG = Außengewinde / Male thread  
IG = Innengewinde / Female thread

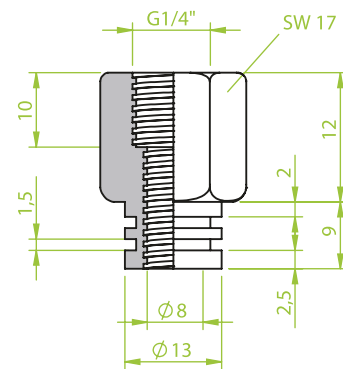
Art.: 130.096

IG 1/8"



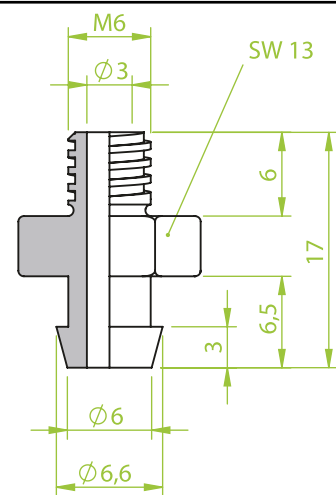
Art.: 130.098

IG 1/4"



Art.: 130.103

AG M6

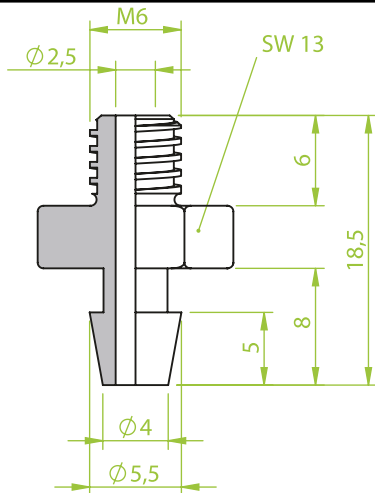


## Anschlusssteile | Fittings

AG = Außengewinde / Male thread  
IG = Innengewinde / Female thread

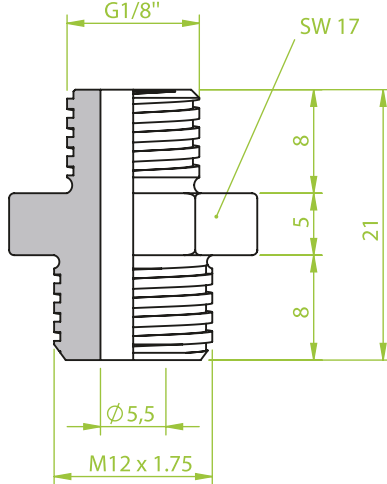
Art.: 130.104

AG M6



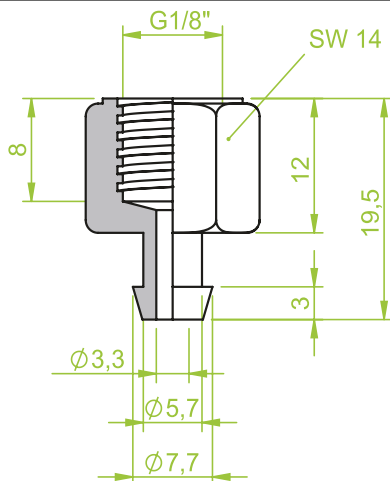
Art.: 130.107

M12x1,75 + AG 1/8"



Art.: 130.109

IG 1/8"

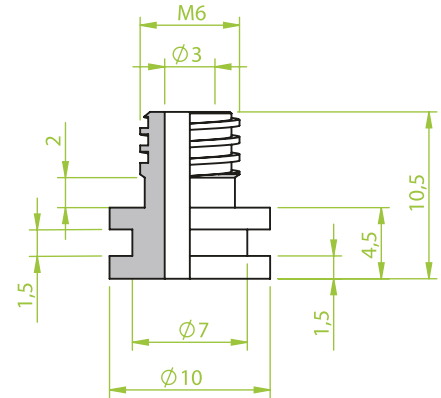


## Anschlusssteile | Fittings

AG = Außengewinde / Male thread  
IG = Innengewinde / Female thread

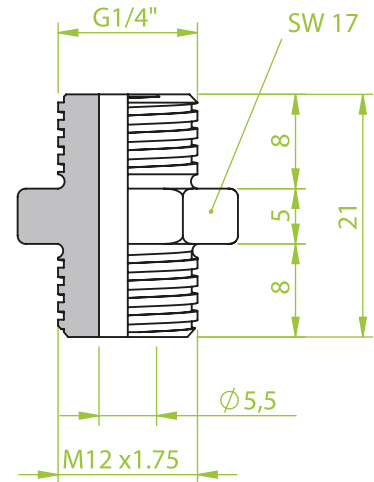
Art.: 130.105

AG M6



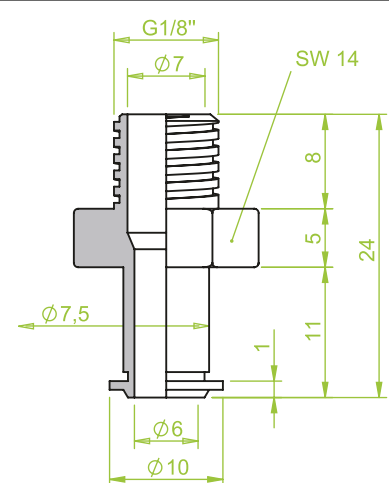
Art.: 130.108

M12x1,75 + AG 1/4"



Art.: 130.112

AG 1/8"

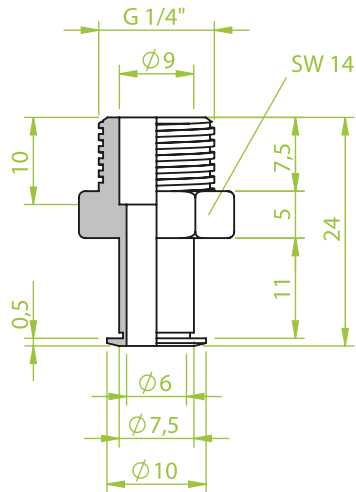


## Anschlusssteile | Fittings

AG = Außengewinde / Male thread  
IG = Innengewinde / Female thread

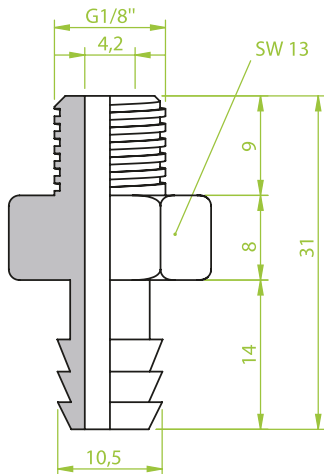
Art.: 130.113

AG 1/4"



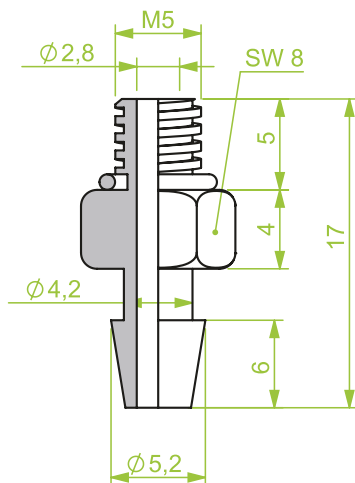
Art.: 130.132

AG 1/8"



Art.: 130.134-1

AG M5

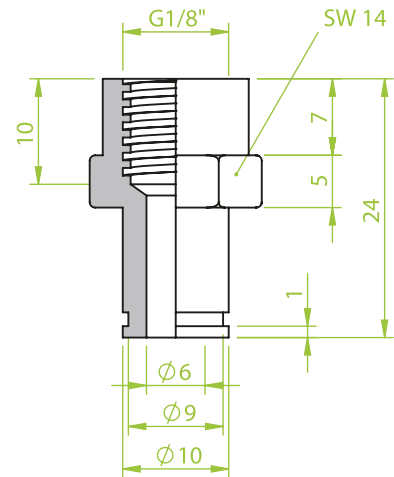


## Anschlusssteile | Fittings

AG = Außengewinde / Male thread  
IG = Innengewinde / Female thread

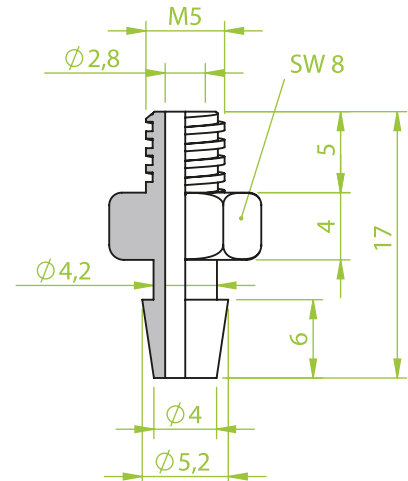
Art.: 130.114

IG 1/8"



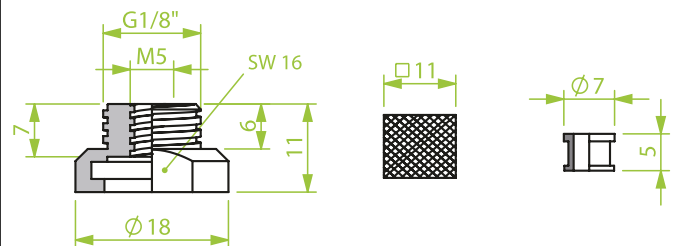
Art.: 130.134

AG M5



Art.: 130.135

AG 1/8"+IG M5

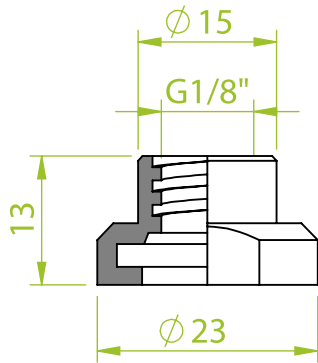


## Anschlusssteile | Fittings

AG = Außengewinde / Male thread  
IG = Innengewinde / Female thread

Art.: 130.136

IG 1/8"

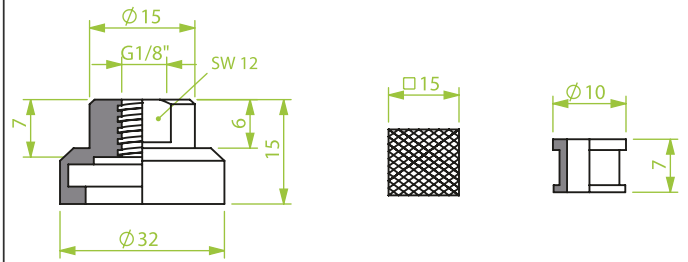


## Anschlusssteile | Fittings

AG = Außengewinde / Male thread  
IG = Innengewinde / Female thread

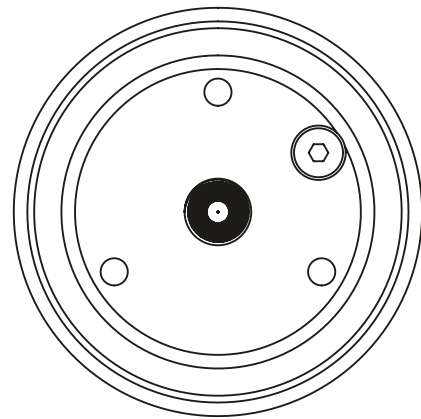
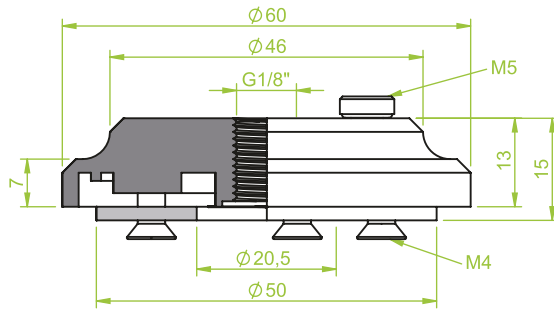
Art.: 130.137

IG 1/8"



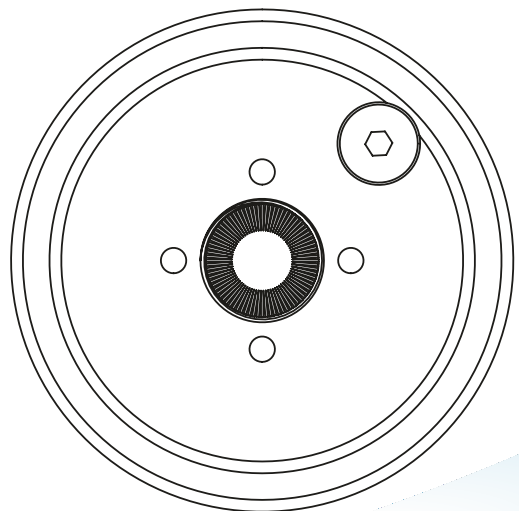
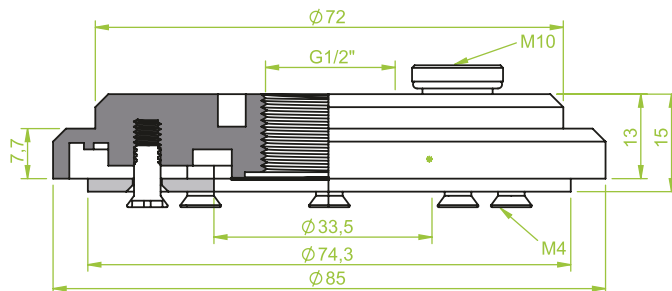
Art.: 130.138

IG 1/8"



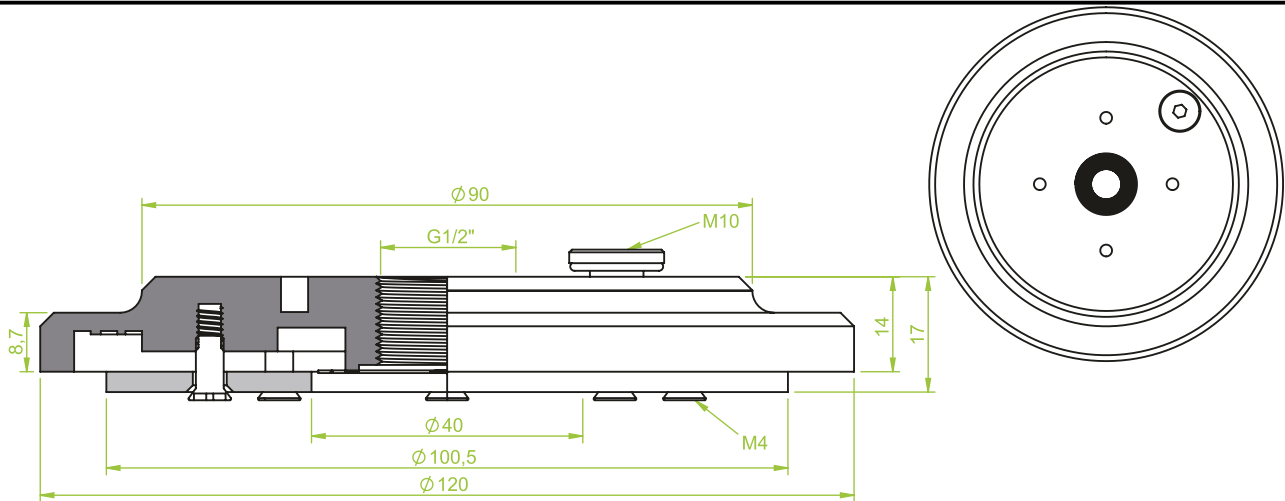
Art.: 130.139

IG 1/2"



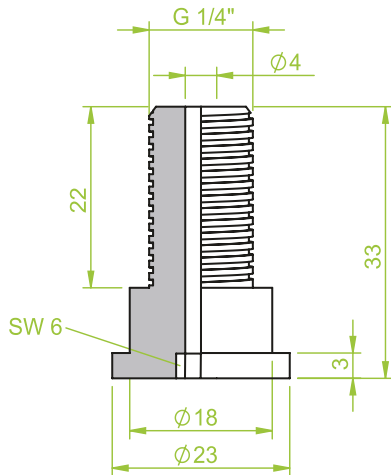


Art.: 130.140



Art.: 130.145

AG 1/4"



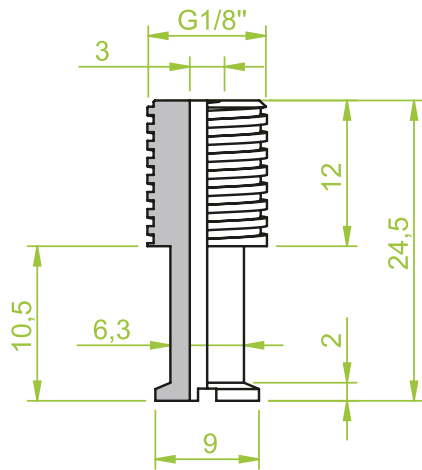
Art.:

## Anschlusssteile | Fittings

AG = Außengewinde / Male thread  
IG = Innengewinde / Female thread

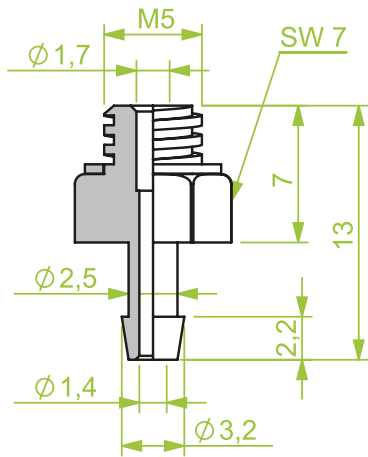
Art.: 130.147

AG 1/8"



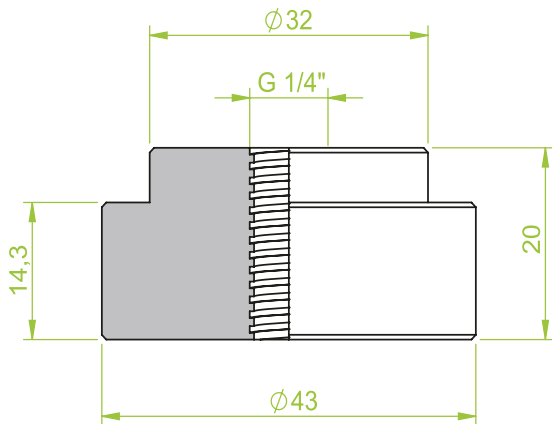
Art.: 130.153-1

AG M 5



Art.: 130.179

IG 1/4"

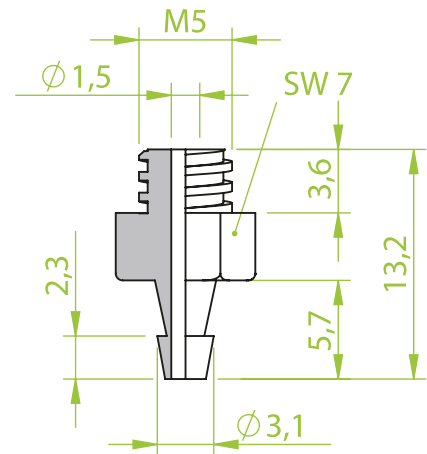


## Anschlusssteile | Fittings

AG = Außengewinde / Male thread  
IG = Innengewinde / Female thread

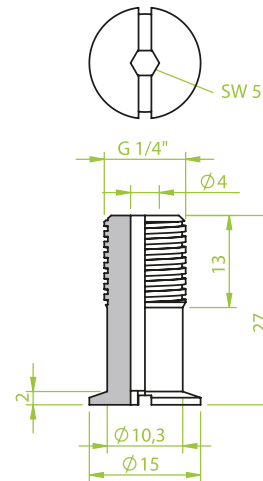
Art.: 130.153

AG M 5



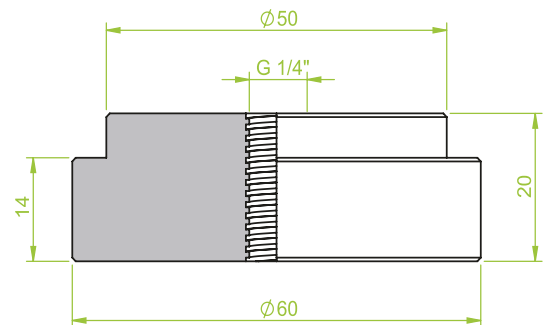
Art.: 130.175

AG 1/4"



Art.: 130.180

IG 1/4"

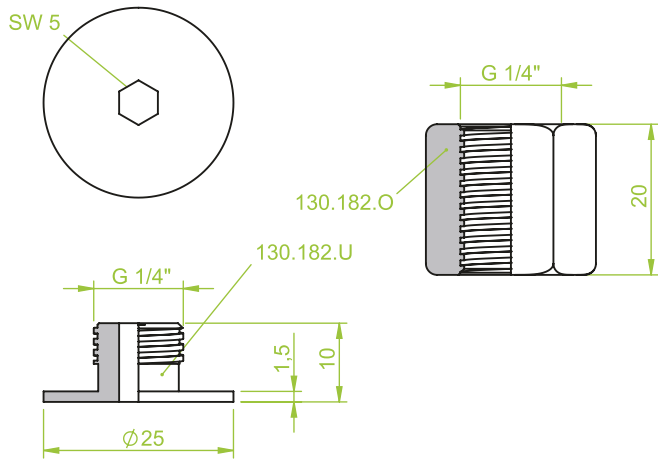


## Anschlusssteile | Fittings

AG = Außengewinde / Male thread  
IG = Innengewinde / Female thread

Art.: 130.182.O

IG 1/4"

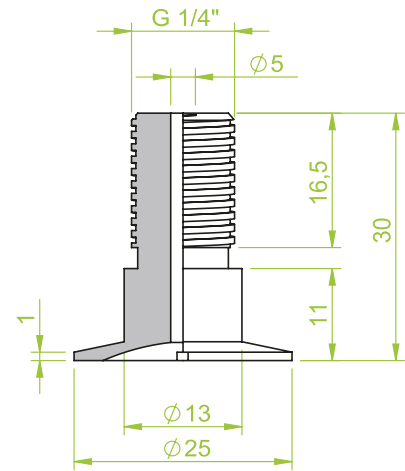


## Anschlusssteile | Fittings

AG = Außengewinde / Male thread  
IG = Innengewinde / Female thread

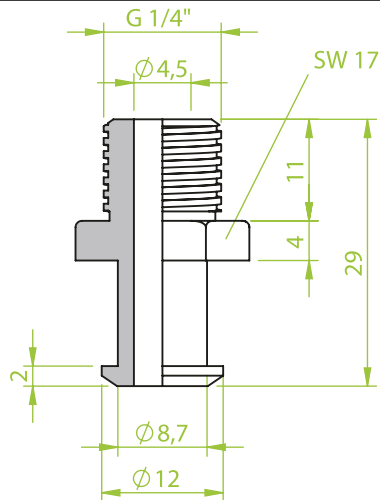
Art.: 130.184

AG 1/4"



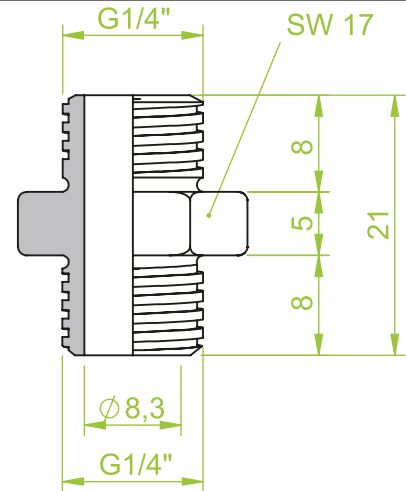
Art.: 130.190

AG 1/4"



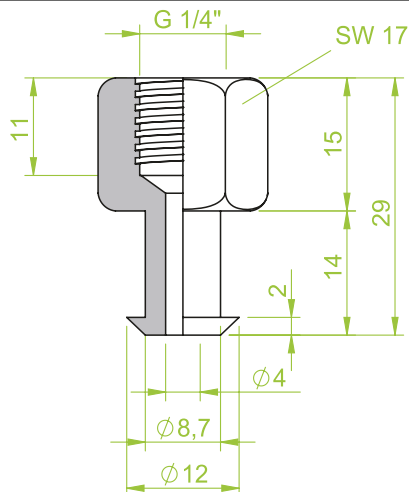
Art.: 130.191

2 x AG 1/4"



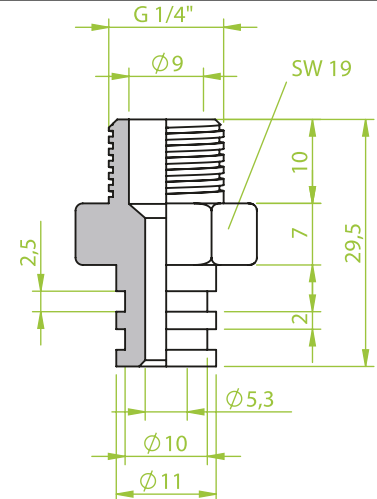
Art.: 130.192

IG 1/4"



Art.: 130.193

1/4" AG

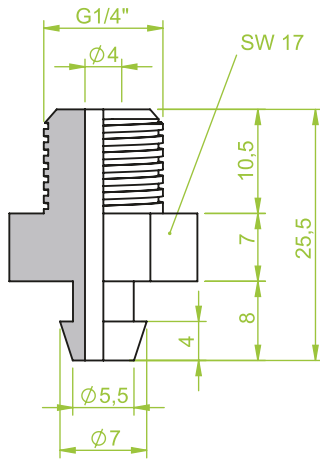


## Anschlusssteile | Fittings

AG = Außengewinde / Male thread  
IG = Innengewinde / Female thread

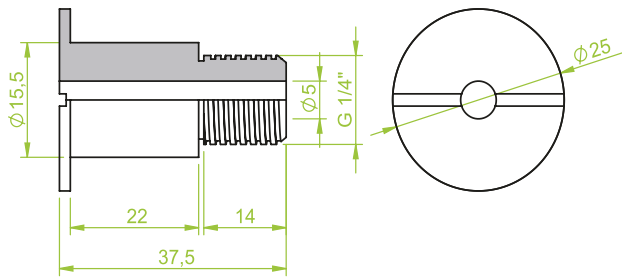
Art.: 130.194

AG 1/4"



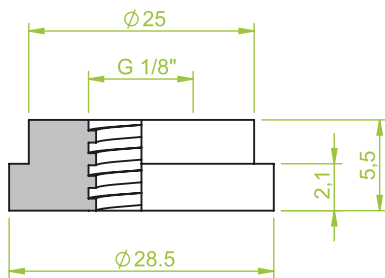
Art.: 130.216

AG 1/4"



Art.: 130.235

IG 1/8"

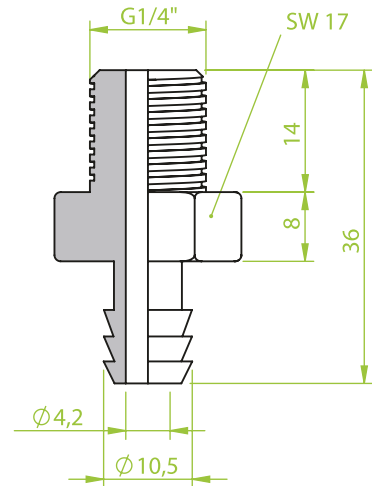


## Anschlusssteile | Fittings

AG = Außengewinde / Male thread  
IG = Innengewinde / Female thread

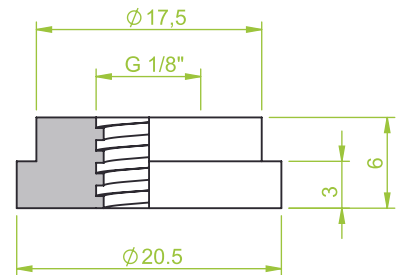
Art.: 130.208

AG 1/4"



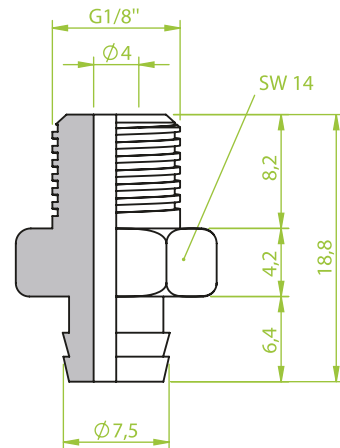
Art.: 130.234

IG 1/8"



Art.: 130.238

AG 1/8"

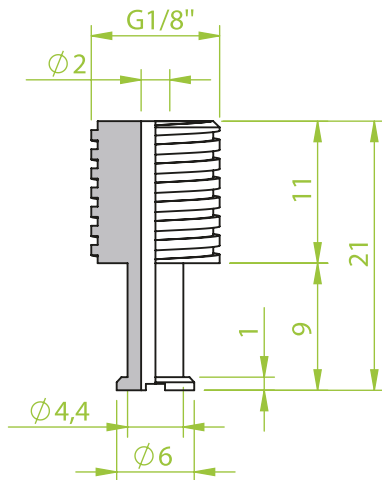


## Anschlusssteile | Fittings

AG = Außengewinde / Male thread  
IG = Innengewinde / Female thread

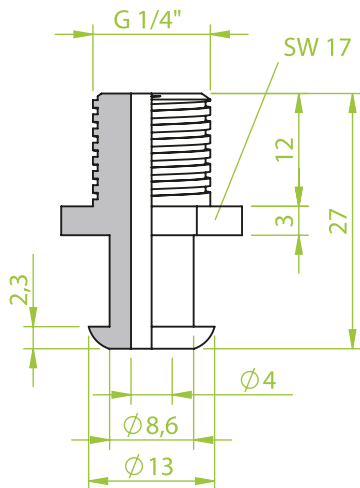
Art.: 130.242

IG 1/8"



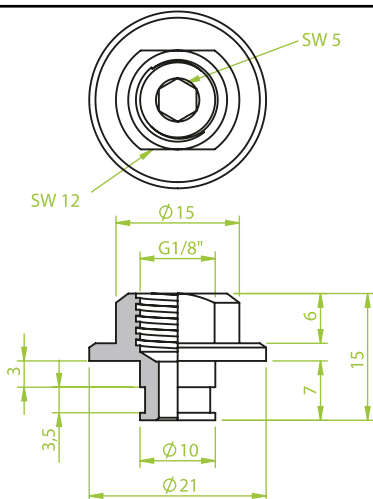
Art.: 130.249

AG 1/4"



Art.: 130.251

IG 1/8"

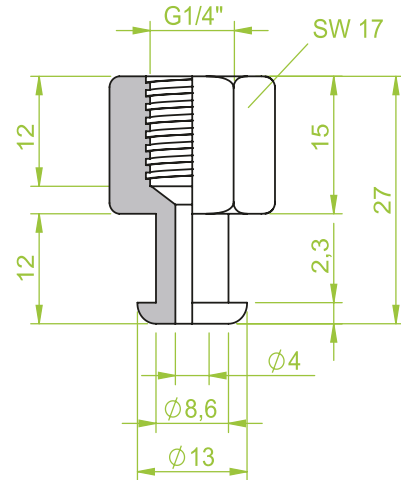


## Anschlusssteile | Fittings

AG = Außengewinde / Male thread  
IG = Innengewinde / Female thread

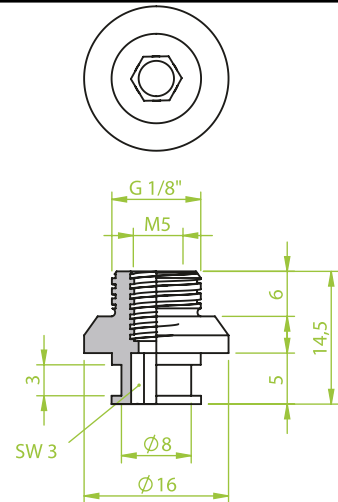
Art.: 130.248

IG 1/4"



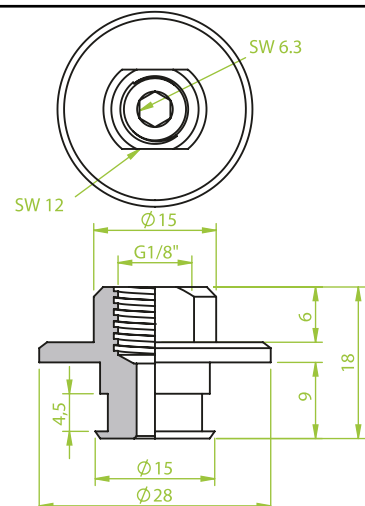
Art.: 130.250

AG 1/8"/IG M5



Art.: 130.252

IG 1/8"

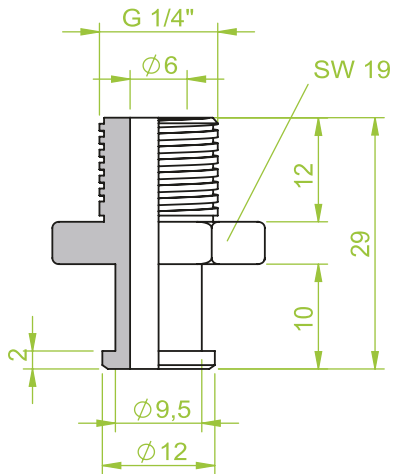


## Anschlusssteile | Fittings

AG = Außengewinde / Male thread  
IG = Innengewinde / Female thread

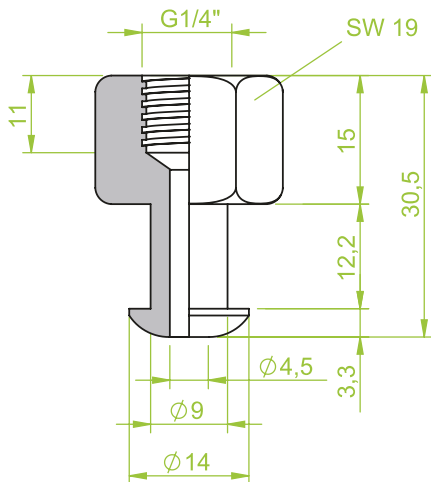
Art.: 130.274

AG 1/4"



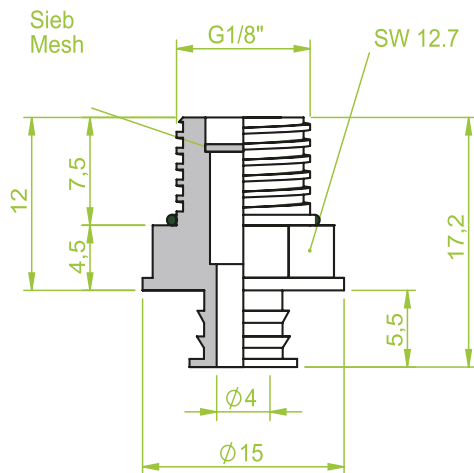
Art.: 130.282

IG 1/4"



Art.: 130.291

AG 1/8"

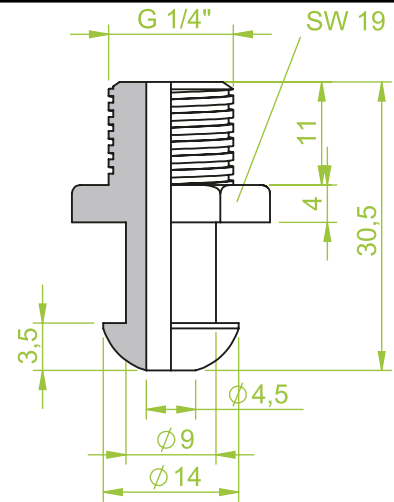


## Anschlusssteile | Fittings

AG = Außengewinde / Male thread  
IG = Innengewinde / Female thread

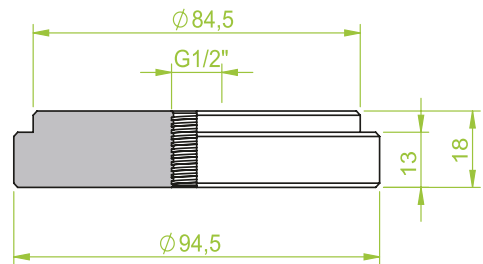
Art.: 130.281

AG 1/4"



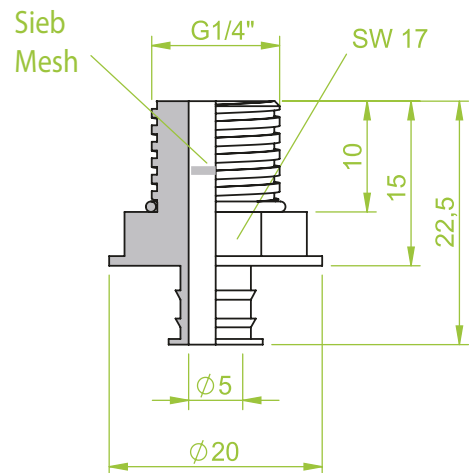
Art.: 130.290

IG 1/2"



Art.: 130.293

AG 1/4"

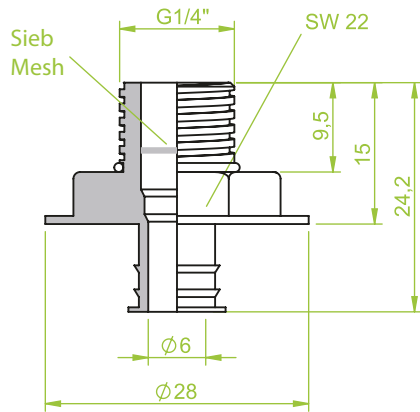


## Anschlusssteile | Fittings

AG = Außengewinde / Male thread  
IG = Innengewinde / Female thread

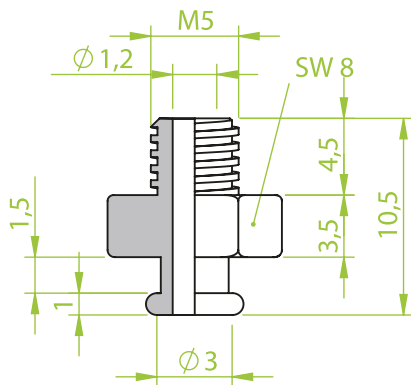
Art.: 130.294

AG 1/4"



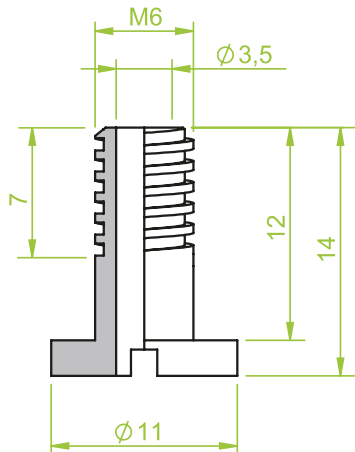
Art.: 130.300

AG M5



Art.: 130.312

AG M6

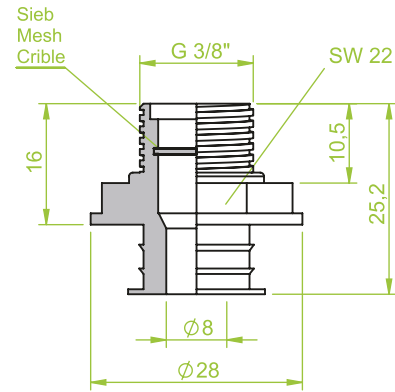


## Anschlusssteile | Fittings

AG = Außengewinde / Male thread  
IG = Innengewinde / Female thread

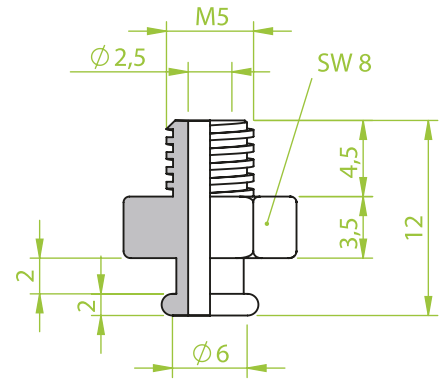
Art.: 130.296

AG 3/8"



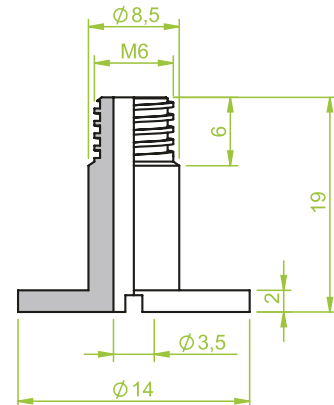
Art.: 130.301

AG M5



Art.: 130.315

AG M6

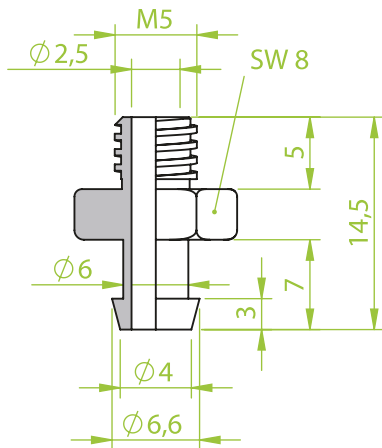


## Anschlusssteile | Fittings

AG = Außengewinde / Male thread  
IG = Innengewinde / Female thread

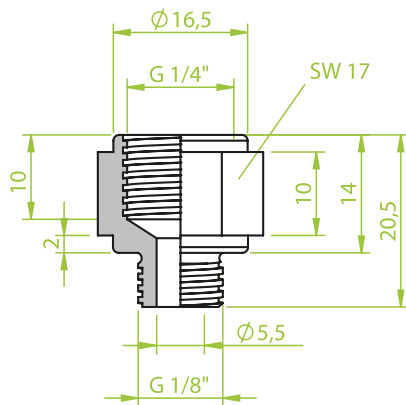
Art.: 130.317

AG M5



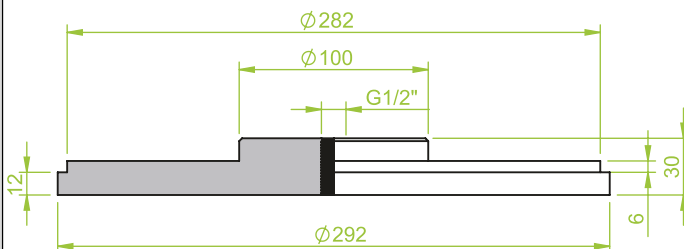
Art.: 130.334

AG 1/8"



Art.: 130.337

IG 1/2"

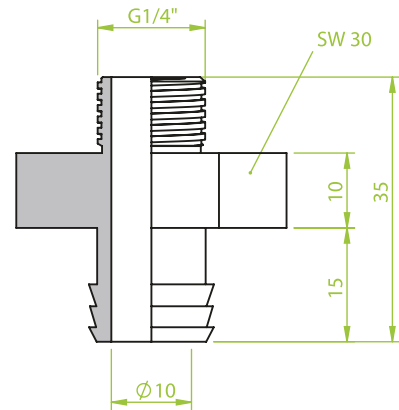


## Anschlusssteile | Fittings

AG = Außengewinde / Male thread  
IG = Innengewinde / Female thread

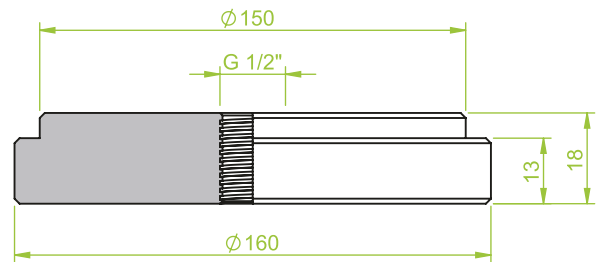
Art.: 130.327

AG 1/4"



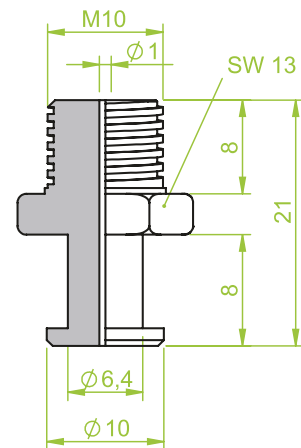
Art.: 130.335

IG 1/2"



Art.: 130.350

AG 1/8"



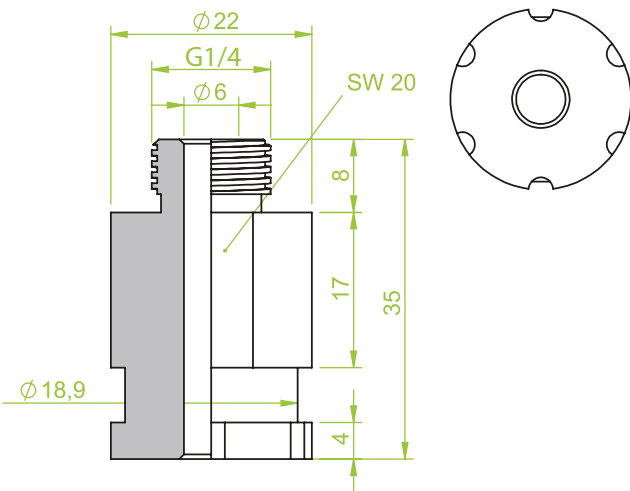


## Anschlusssteile | Fittings

AG = Außengewinde / Male thread  
IG = Innengewinde / Female thread

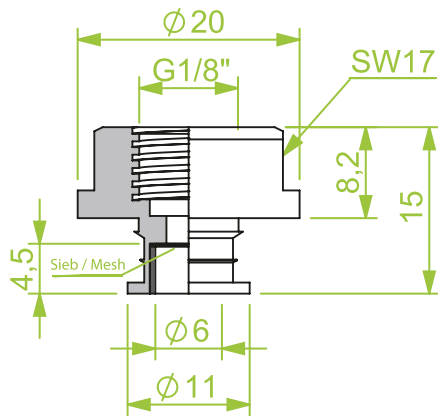
Art.: 130.390

AG 1/4"



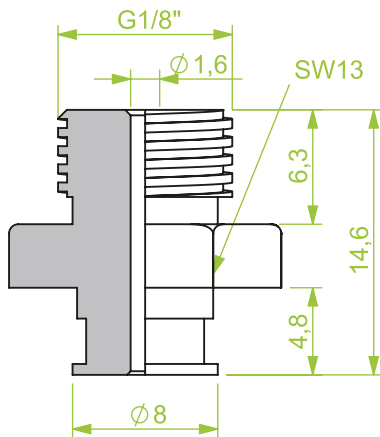
Art.: 130.501

IG 1/8"



Art.: 130.507

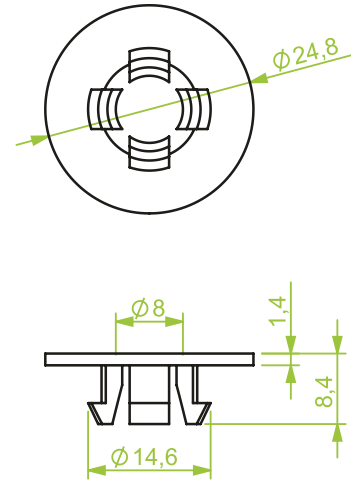
AG 1/8"



## Anschlusssteile | Fittings

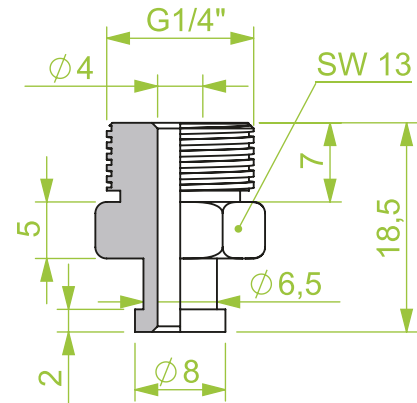
AG = Außengewinde / Male thread  
IG = Innengewinde / Female thread

Art.: 130.416



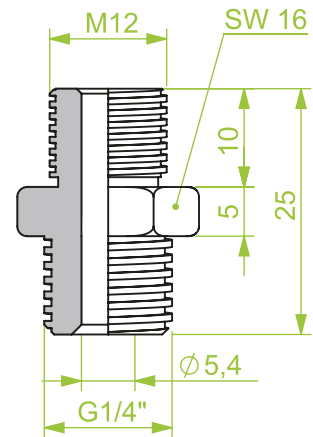
Art.: 130.504

AG 1/8"



Art.: 130.508

AG 1/4" x M12

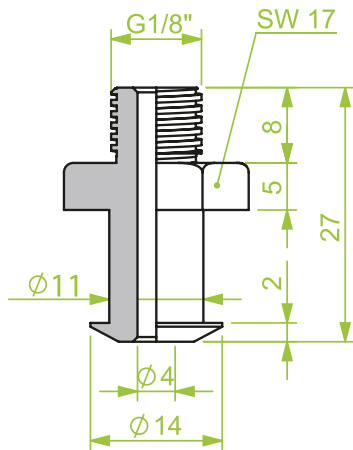


## Anschlusssteile | Fittings

AG = Außengewinde / Male thread  
IG = Innengewinde / Female thread

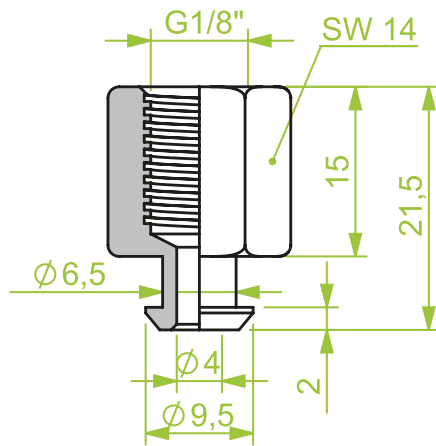
Art.: 130.510

AG 1/8"



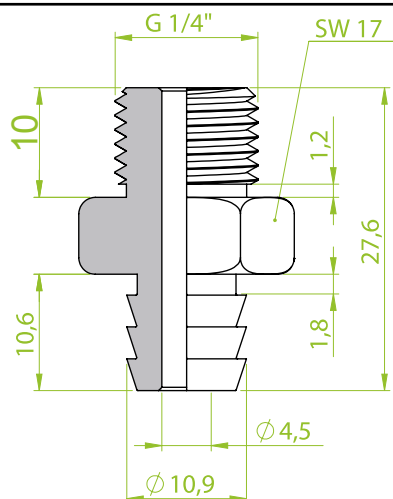
Art.: 130.519

IG 1/8"



Art.: 130.521

AG 1/4"

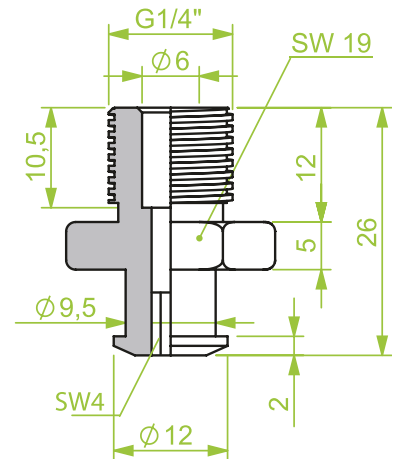


## Anschlusssteile | Fittings

AG = Außengewinde / Male thread  
IG = Innengewinde / Female thread

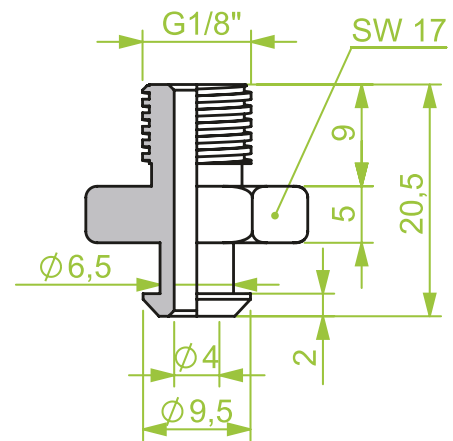
Art.: 130.518

AG 1/4"



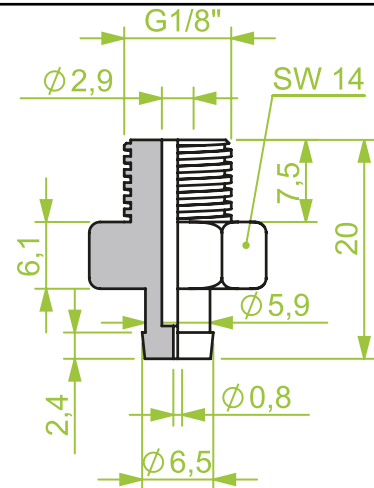
Art.: 130.520

AG 1/8"



Art.: 130.524

AG 1/8"

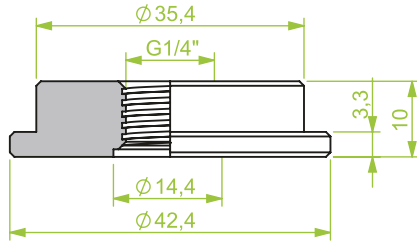


## Anschlusssteile | Fittings

AG = Außengewinde / Male thread  
IG = Innengewinde / Female thread

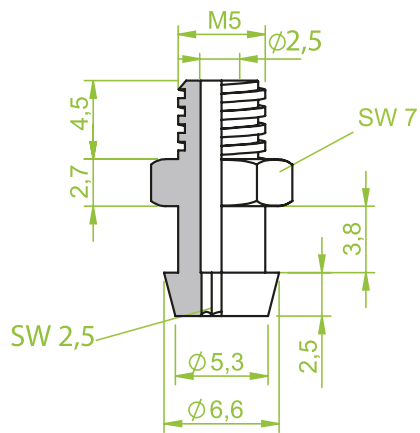
Art.: 130.528

IG 1/4"



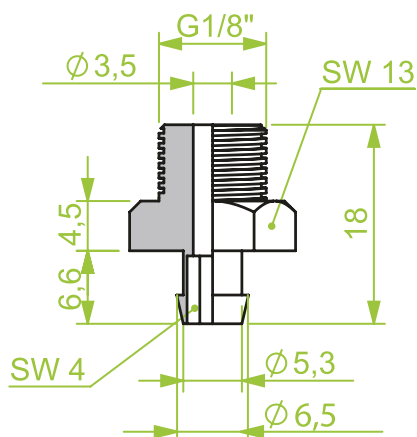
Art.: 130.537

AG M 5



Art.: 130.539

AG 1/8"

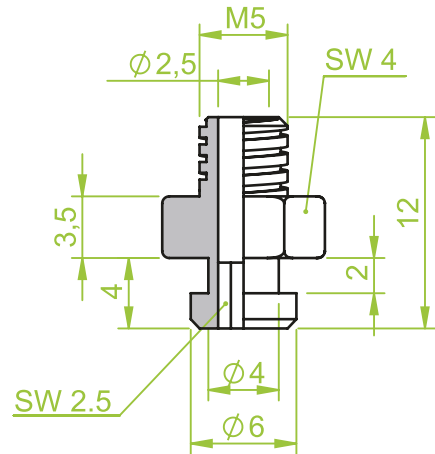


## Anschlusssteile | Fittings

AG = Außengewinde / Male thread  
IG = Innengewinde / Female thread

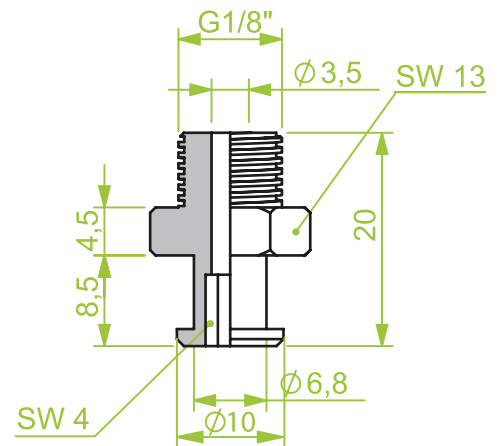
Art.: 130.536

AG M 5



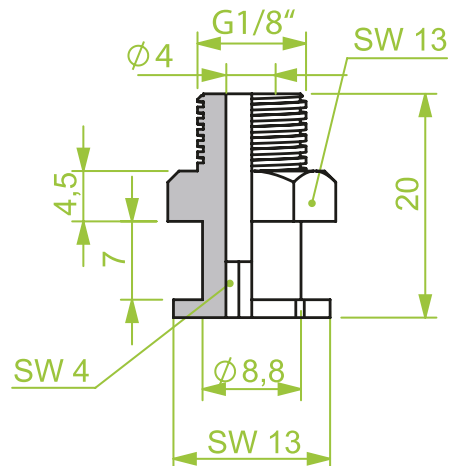
Art.: 130.538

AG 1/8"



Art.: 130.540

AG 1/8"

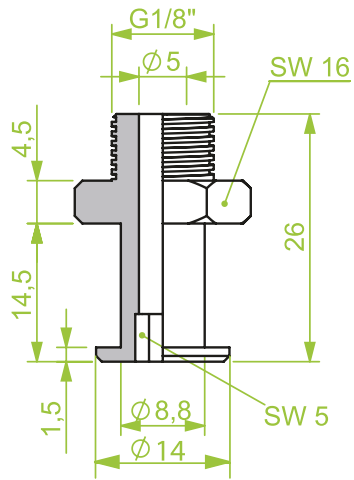


## Anschlusssteile | Fittings

AG = Außengewinde / Male thread  
IG = Innengewinde / Female thread

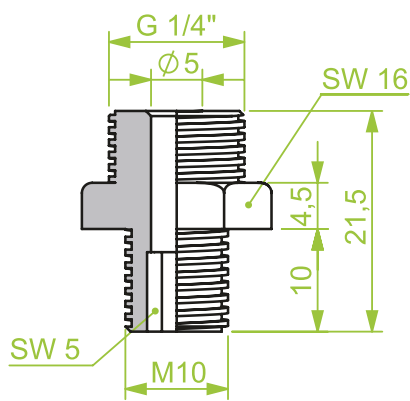
Art.: 130.541

AG 1/8"



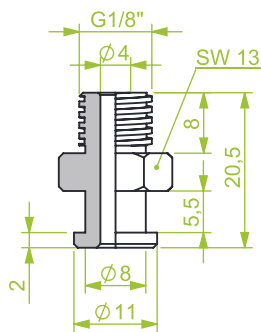
Art.: 130.543

AG 1/4" / M10 x 1,25



Art.: 130.549

AG 1/8"

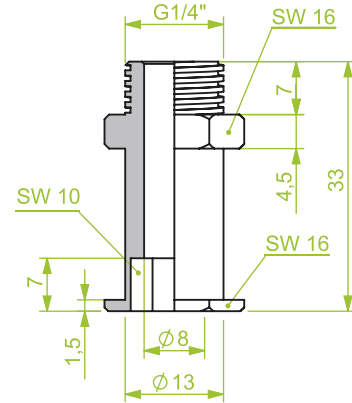


## Anschlusssteile | Fittings

AG = Außengewinde / Male thread  
IG = Innengewinde / Female thread

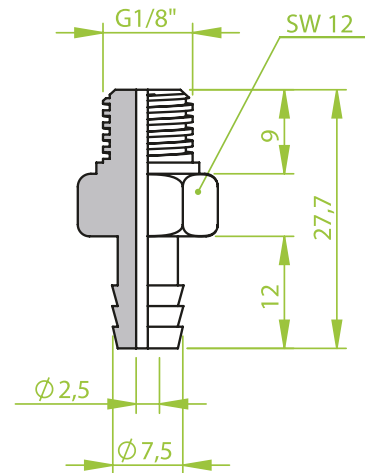
Art.: 130.542

AG 1/4"



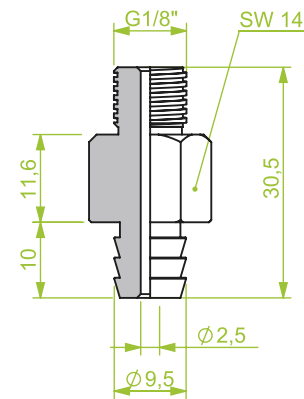
Art.: 130.546

AG 1/8"



Art.: 130.551

AG 1/4"

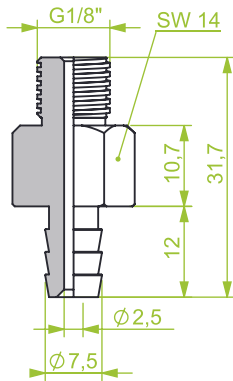


## Anschlusssteile | Fittings

AG = Außengewinde / Male thread  
IG = Innengewinde / Female thread

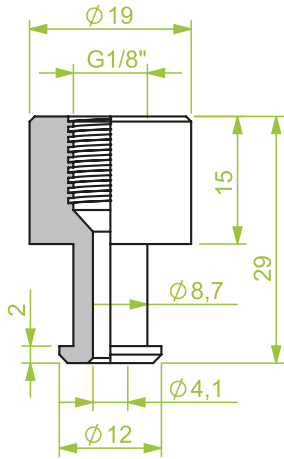
Art.: 130.552

AG 1/4"



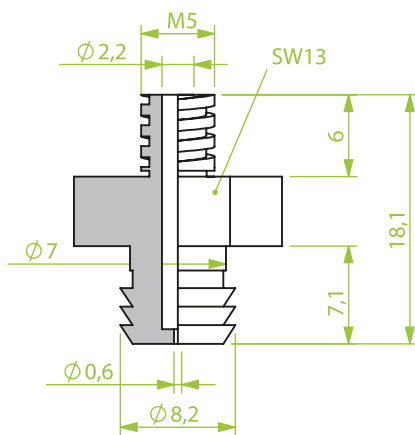
Art.: 130.554

IG 1/8"



Art.: 130.566

AG M 5

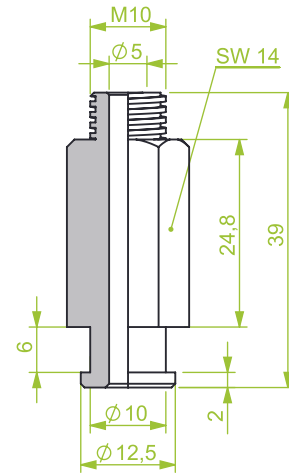


## Anschlusssteile | Fittings

AG = Außengewinde / Male thread  
IG = Innengewinde / Female thread

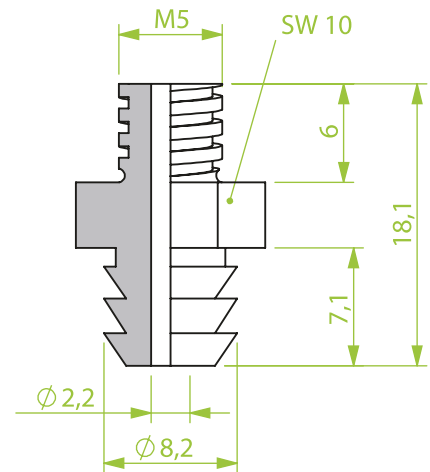
Art.: 130.553

AG M10



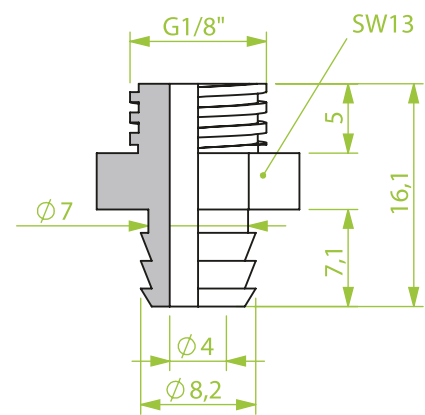
Art.: 130.560

AG M 5



Art.: 130.567-4

AG M 5

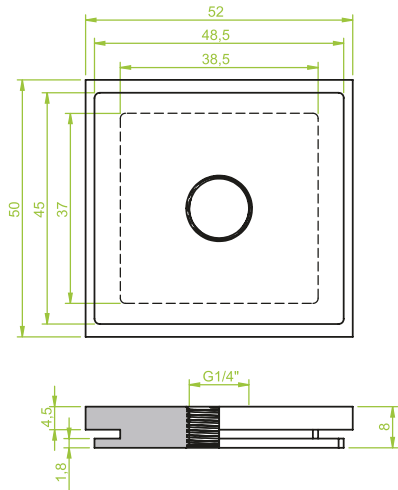


## Anschlusssteile | Fittings

AG = Außengewinde / Male thread  
IG = Innengewinde / Female thread

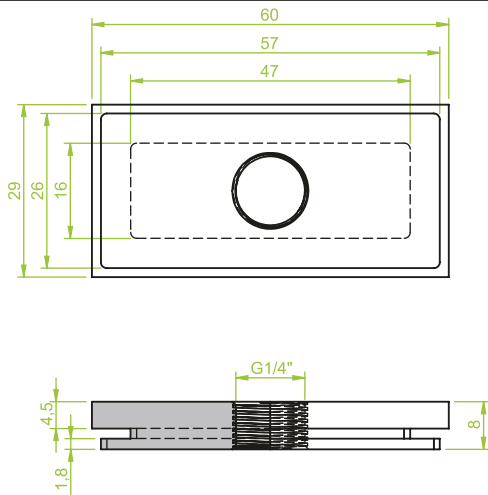
Art.: 130.584

IG 1/4"



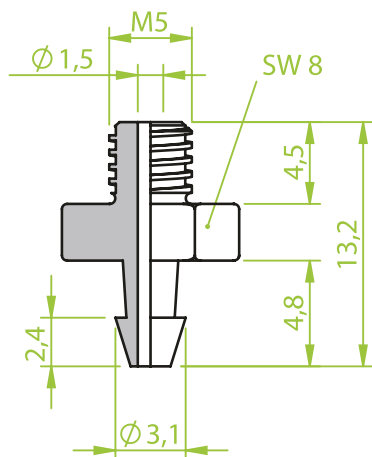
Art.: 130.585

IG 1/4"



Art.: 130.591

AG M5

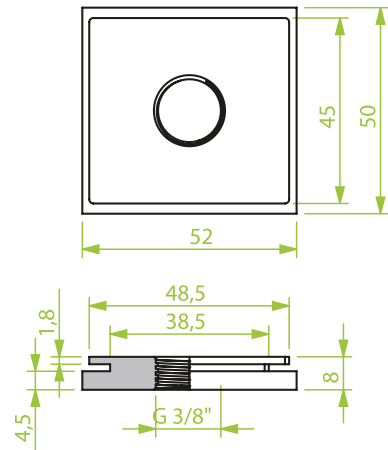


## Anschlusssteile | Fittings

AG = Außengewinde / Male thread  
IG = Innengewinde / Female thread

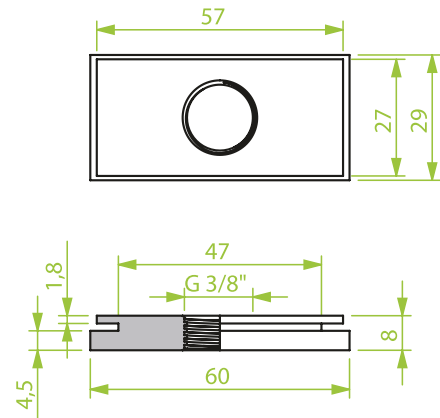
Art.: 130.584-3/8

IG 3/8"

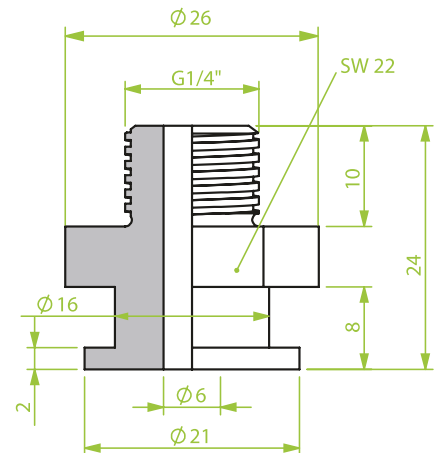


Art.: 130.585-3/8

IG 3/8"



Art.: 130.598

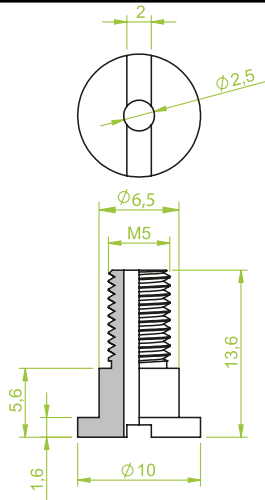


## Anschlusssteile | Fittings

AG = Außengewinde / Male thread  
IG = Innengewinde / Female thread

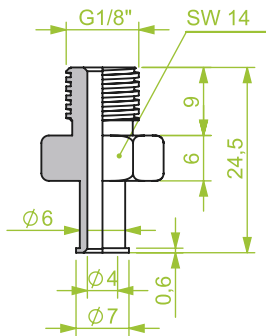
Art.: 130.599

M 5 AG



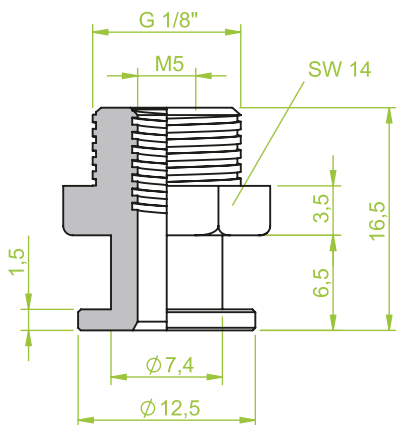
Art.: 130.603

AG 1/8"



Art.: 130.605

AG 1/8" - IG M 5

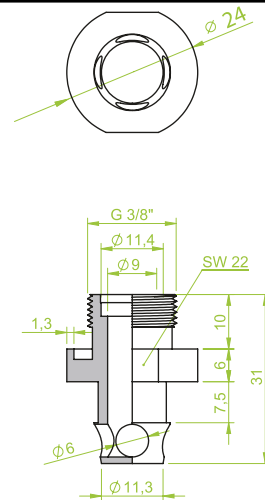


## Anschlusssteile | Fittings

AG = Außengewinde / Male thread  
IG = Innengewinde / Female thread

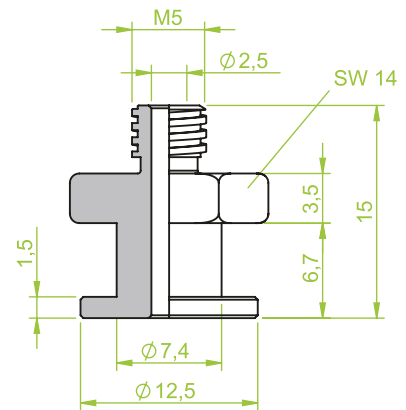
Art.: 130.600

AG 3/8"



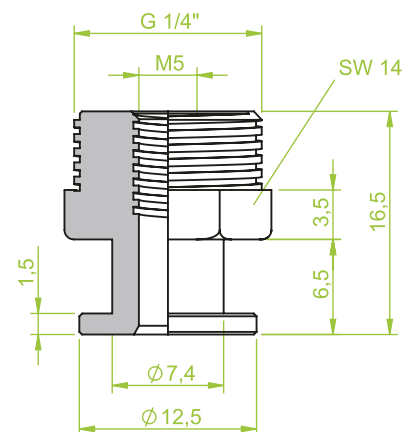
Art.: 130.604

AG M 5



Art.: 130.606

AG 1/4" - IG M 5

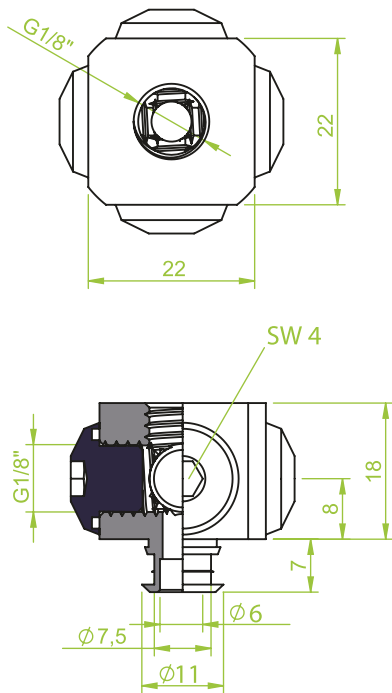


## Anschlusssteile | Fittings

AG = Außengewinde / Male thread  
IG = Innengewinde / Female thread

Art.: 130.607

5 x IG 1/8"

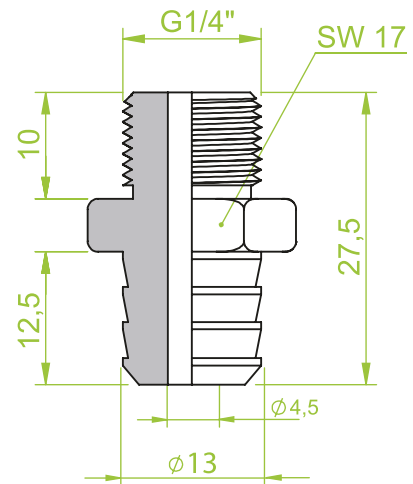


## Anschlusssteile | Fittings

AG = Außengewinde / Male thread  
IG = Innengewinde / Female thread

Art.: 130.609

AG 1/4"



Art.: 130.614

AG 1/4"

